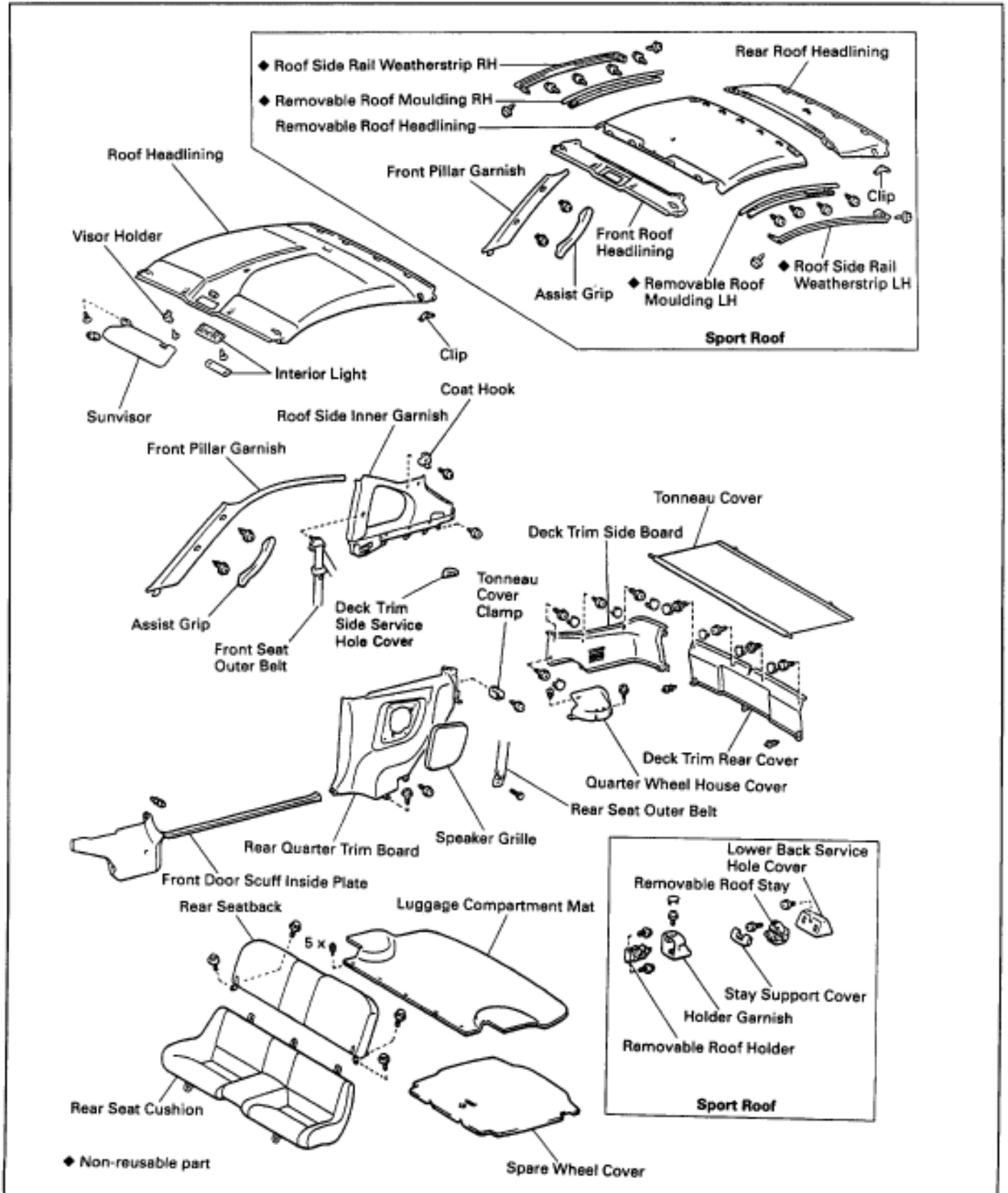


# ROOF HEADLINING COMPONENTS

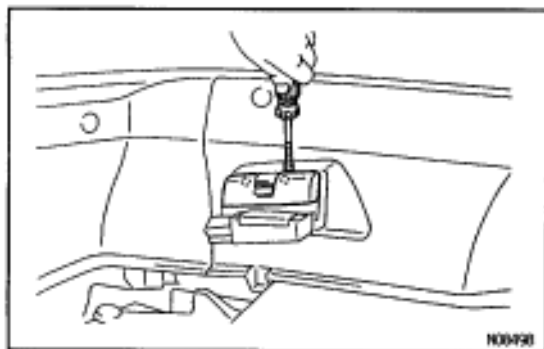


## ROOF HEADLINING REMOVAL

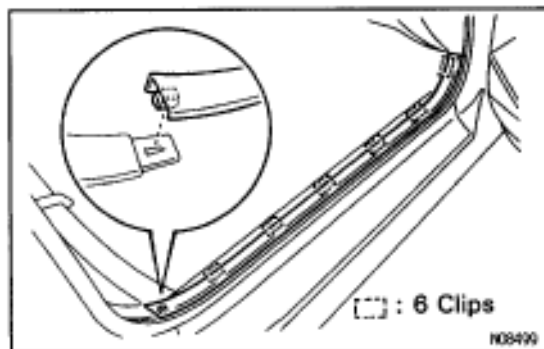
### 1. REMOVE THESE PARTS:

- (a) Tonneau cover
- (b) Luggage compartment mat
- (c) Spare wheel cover
- (d) Rear seat cushion
- (e) Rear seatback

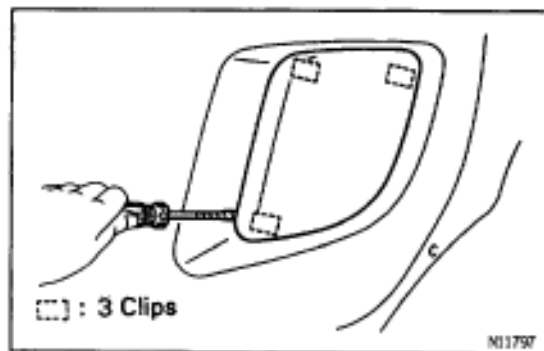
**Torque: 25 N·m (260 kgf·cm, 19 ft·lbf)**



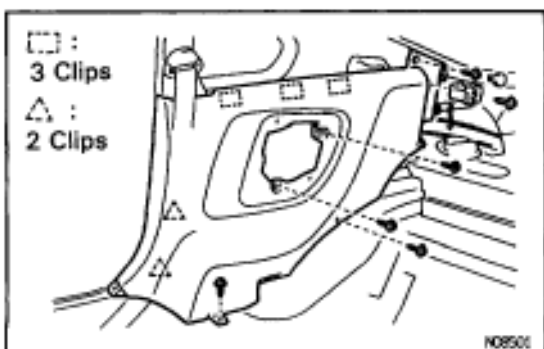
- (f) Removable roof stay RH and LH (Sport roof)
- (g) Deck trim rear cover
- (h) Removable roof holder RH and LH (Sport roof)
- (i) Quarter wheel house cover
- (j) Deck trim side board



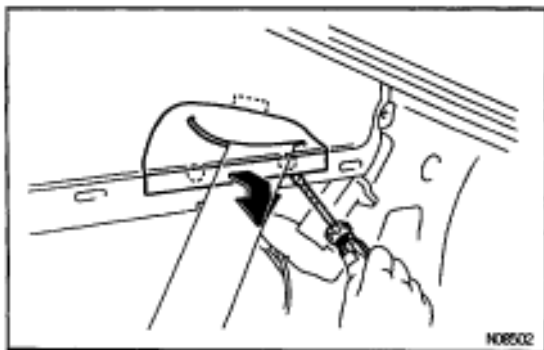
- (k) Front door scuff inside plate



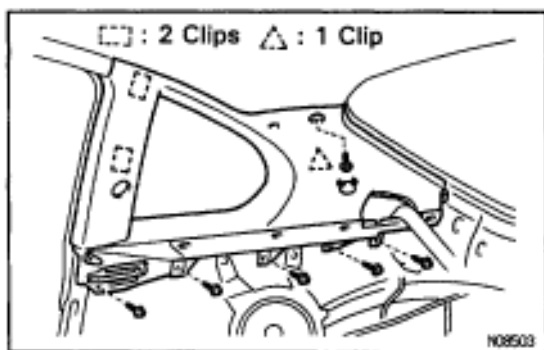
- (l) Speaker grille



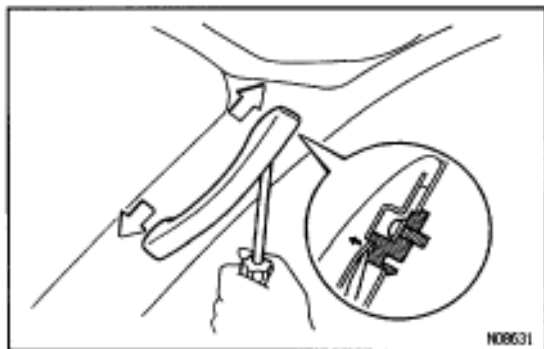
- (m) Rear quarter trim board
- (n) Front seat outer belt
- (o) Rear seat outer belt



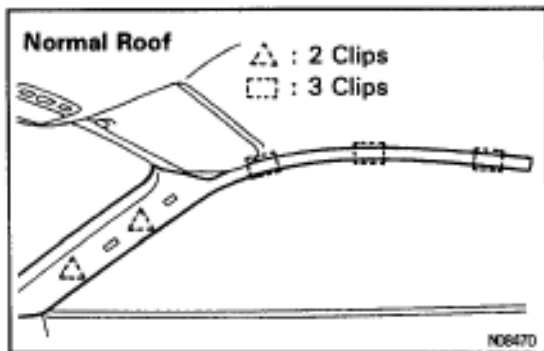
(p) Deck trim side service hole cover



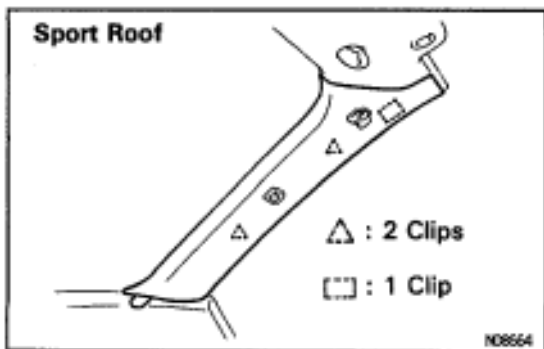
(q) Roof side inner garnish  
(r) Removable roof (Sport roof)

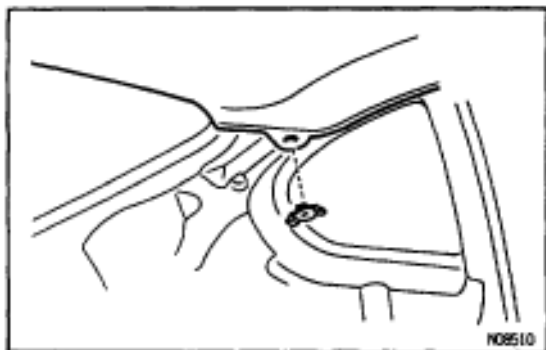


(s) Assist grip

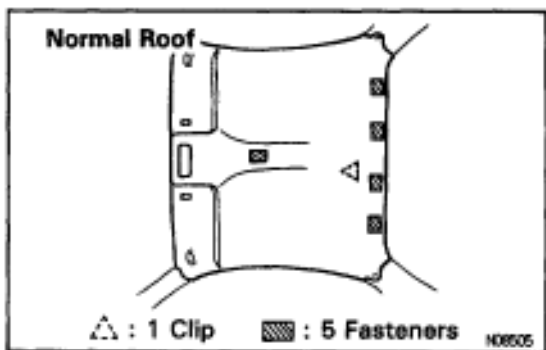


(t) Front pillar garnish  
(u) Interior light  
(v) Sunvisor and holder

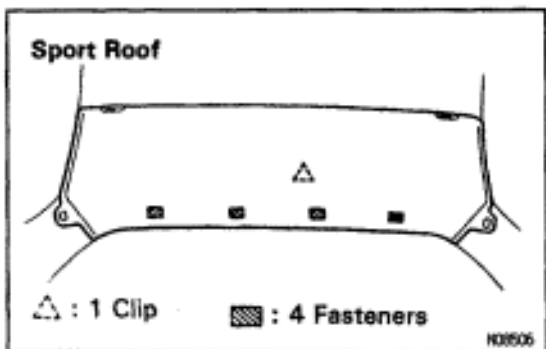




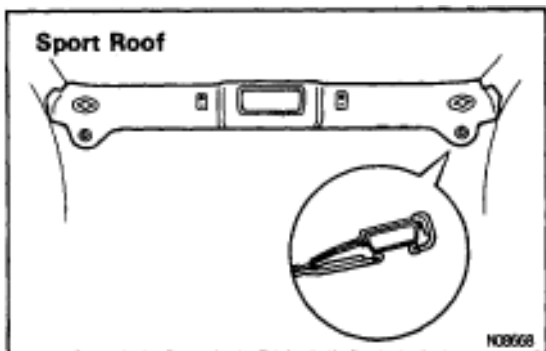
- 2. REMOVE ROOF HEADLINING**  
 (a) Using a clip remover, remove the 2 clips.



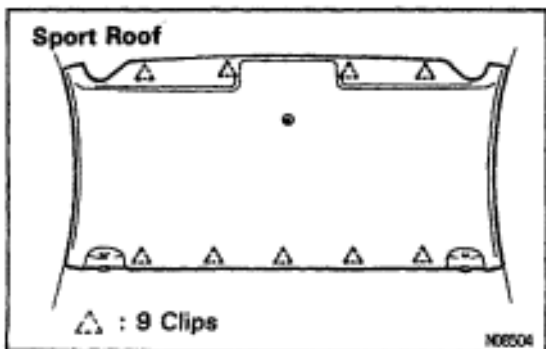
- (b) Normal roof—Remove the roof headlining.



- 3. SPORT ROOF:  
 REMOVE ROOF HEADLINING**  
 (a) Remove the rear roof headlining.



- (b) Remove the front roof headlining.



- (c) Remove removable roof headlining  
 (See page [BO-41](#))

## ROOF HEADLINING INSTALLATION

**Installation is in the reverse order of removal.**

HINT: Torque these parts:

- (a) Front seat belt shoulder anchor bolt  
**Torque: 43 N·m (440 kgf·cm, 32 ft·lbf)**
- (b) Front seat belt floor anchor bolt  
**Torque: 43 N·m (440 kgf·cm, 32 ft·lbf)**
- (c) Rear seat outer belt floor anchor bolt  
**Torque: 43 N·m (440 kgf·cm, 32 ft·lbf)**