

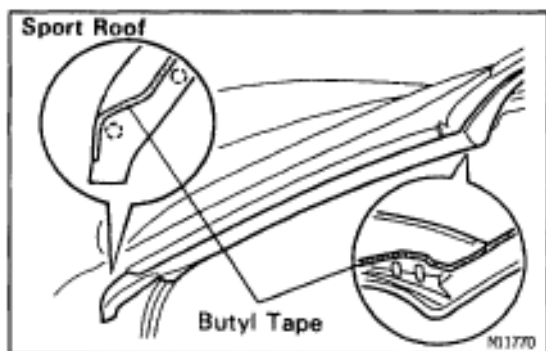
ROOF DRIP SIDE FINISH MOULDING REMOVAL

Normal roof

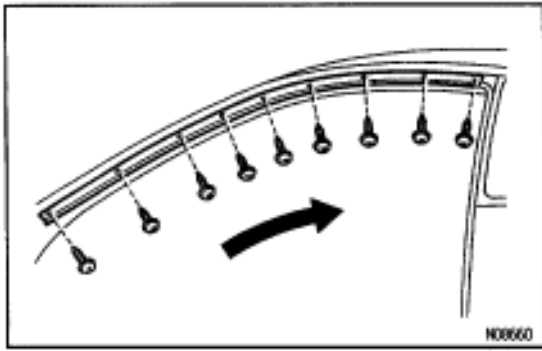
1. **REMOVE ROOF SIDE RAIL WEATHERSTRIP**
Using a clip remover, remove 2 clips for front and 3 clips for rear side of the weatherstrip and remove the weatherstrip.
2. **REMOVE ROOF SIDE RAIL WEATHERSTRIP RETAINER**
Remove 3 screws and the retainer.
3. **REMOVE ROOF DRIP SIDE FINISH MOULDING**
Remove 9 screws and the moulding.

Sport roof

1. **REMOVE THESE PARTS:**
 - (a) Removable roof
 - (b) Assist grip (See page [BO-60](#))
 - (c) Front pillar garnish (See page [BO-60](#))
 - (d) Interior light
 - (e) Sunvisor and holder
 - (f) Front roof headlining (See page [BO-61](#))
 - (g) Wind deflector panel



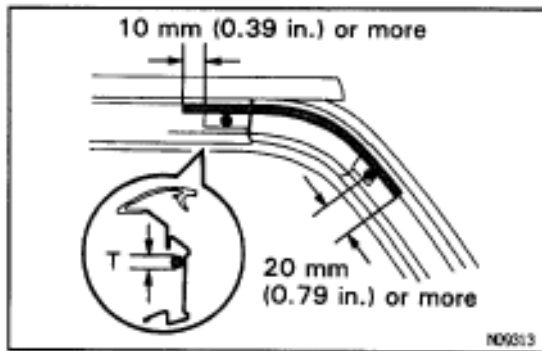
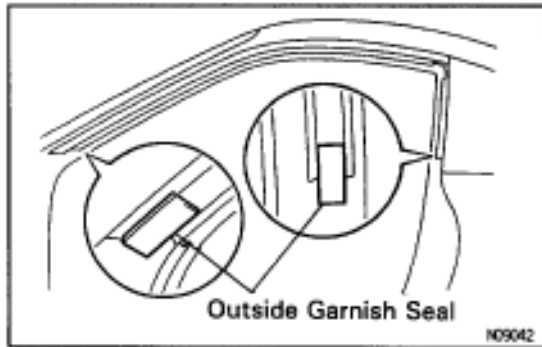
2. **REMOVE ROOF SIDE RAIL WEATHERSTRIP**
 - (a) Remove 2 bolts from the front weatherstrip.
 - (b) Using a clip remover, remove 2 clips and the weatherstrip.
3. **REMOVE ROOF DRIP SIDE FINISH MOULDING**
Remove 4 screws and the moulding.



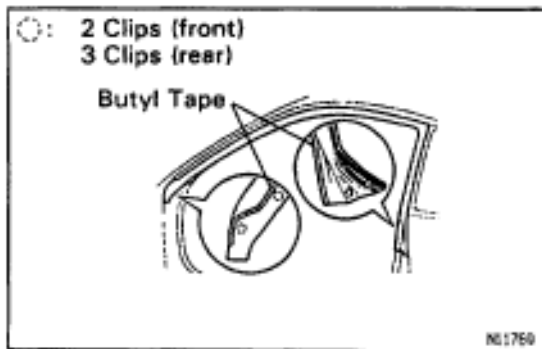
ROOF DRIP SIDE FINISH MOULDING INSTALLATION

Normal roof

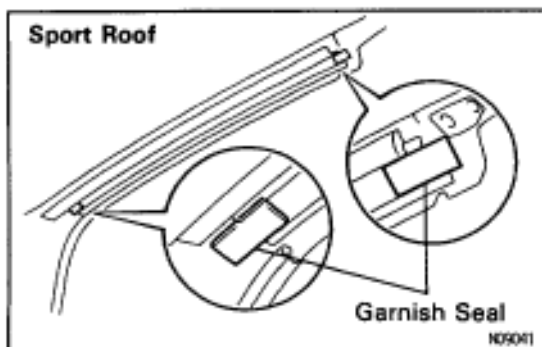
1. **INSTALL ROOF DRIP SIDE FINISH MOULDING**
Install the moulding with 9 screws.
HINT: Tighten the screws from front to rear.
2. **INSTALL ROOF SIDE RAIL WEATHERSTRIP RETAINER**
Install the retainer with 3 screws.
3. **INSTALL OUTSIDE GARNISH SEAL**
Install the garnish seal to the retainer as shown in the illustration.



4. **APPLY SEAL PACKING**
Apply seal packing to the moulding and retainer as shown in the illustration.
T: 3 mm (0.12 in.) or more
Part No. 08826-00080

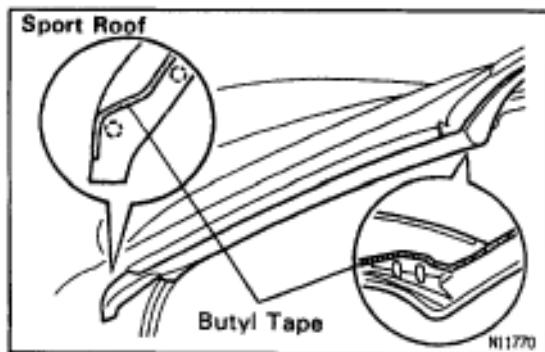


5. **INSTALL ROOF SIDE RAIL WEATHERSTRIP**
 - (a) Install the butyl tape to the weatherstrip as shown in the illustration.
 - (b) Install the weatherstrip.



Sport roof

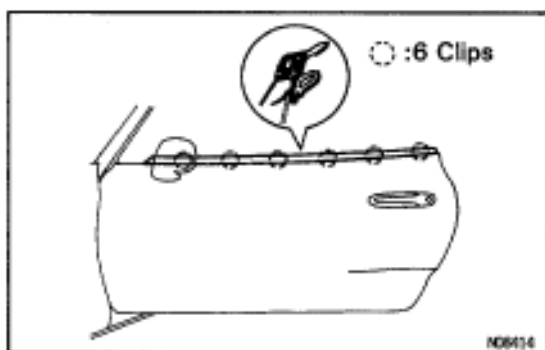
1. **INSTALL ROOF DRIP SIDE FINISH MOULDING**
Install the moulding with 4 screws.
HINT: Tighten the screws from front to rear.
2. **INSTALL OUTSIDE GARNISH SEAL**
Install the garnish seal to the moulding as shown in the illustration.



3. INSTALL ROOF SIDE RAIL WEATHERSTRIP

- (a) Install the butyl tape to the weatherstrip as shown in the illustration.
- (b) Install the weatherstrip.

4. INSTALL REMOVED PARTS IN REVERSE ORDER TO THEIR REMOVAL



FRONT DOOR BELT MOULDING REMOVAL AND INSTALLATION

1. REMOVE FRONT DOOR COMPONENT PARTS
(See page [BO-11](#))
2. REMOVE FRONT DOOR BELT MOULDING
3. INSTALL FRONT DOOR BELT MOULDING
4. INSTALL FRONT DOOR COMPONENT PARTS