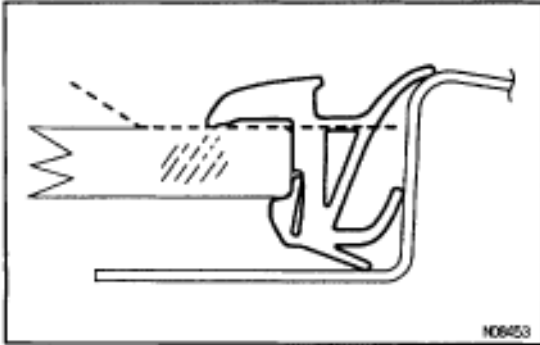


WINDSHIELD MOULDING REMOVAL

1. REMOVE THESE PARTS:

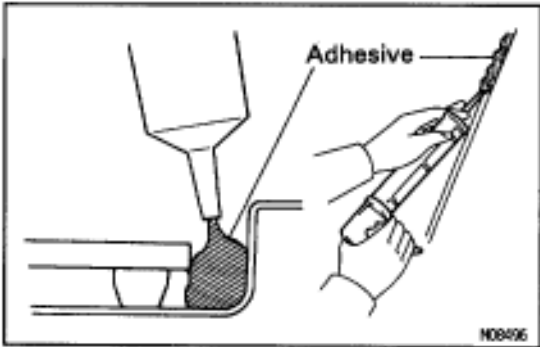
- (a) Wiper arm and blade
- (b) Cowl top ventilator louver



2. REMOVE WINDSHIELD MOULDING

- (a) Using a knife, cut off the moulding as shown.
- (b) Cut away the adhesive at the moulding installation area as much as possible.

NOTICE: Do not damage the body with the knife.

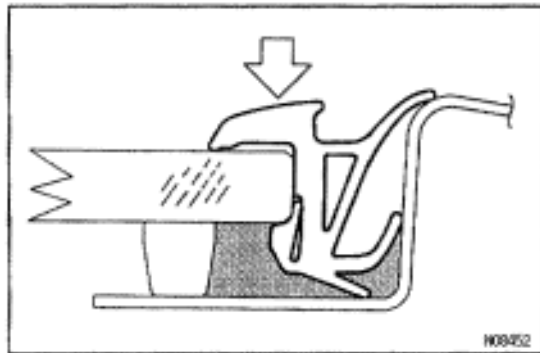


WINDSHIELD MOULDING INSTALLATION

1. CUT ADHESIVE AT MOULDING INSTALLATION AREA

Using the knife, cut off the adhesive around the moulding installation area.

2. APPLY ADHESIVE AT MOULDING INSTALLATION AREA



3. INSTALL WINDSHIELD MOULDING

Place the moulding onto the body and tap it by hand.

4. INSTALL THESE PARTS:

- (a) Cowl top ventilator louver
- (b) Wiper arm and blade

Torque: 22 N·m (225 kgf·cm, 16 ft·lbf)