

EVAPORATOR

EVAPORATOR REMOVAL

1. DISCHARGE REFRIGERANT IN REFRIGERATION SYSTEM

INSTALLATION HINT: Evacuate air from refrigeration system.

Charge system with refrigerant and inspect for leakage of refrigerant.

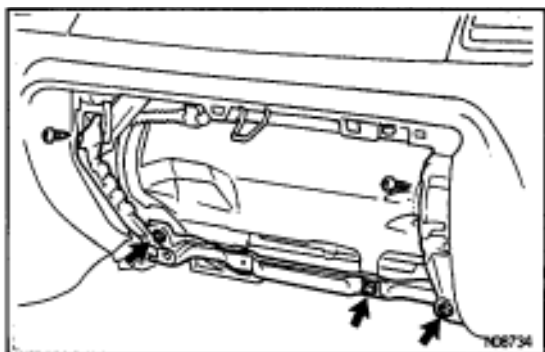
2. REMOVE ABS ACTUATOR (w/ABS)

(See page [BR-44](#))

3. REMOVE LIQUID TUBE AND SUCTION TUBE FROM A/C UNIT

Torque: 10 N·m (100 kgf·cm, 7 ft·lbf)

INSTALLATION HINT: Lubricate the new O-rings with compressor oil and install the tubes.



4. REMOVE GROVE BOX AND SIDE AIR DUCT

(a) Remove the glove box.

(See page [BO-45](#))

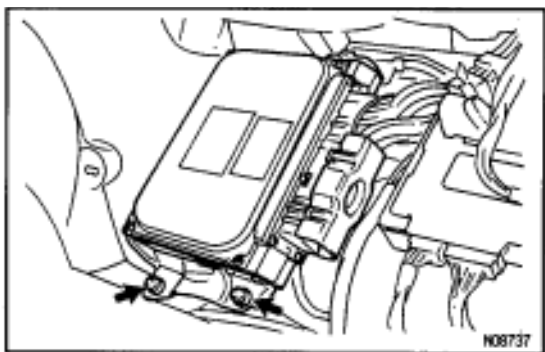
(b) Remove the 5 screws and the brace.

(c) Remove the side air duct.

5. REMOVE SCUFF PLATE

(See page [BO-44](#))

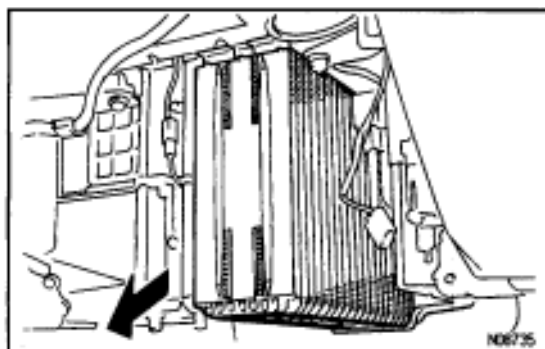
6. REMOVE FLOOR CARPET



7. REMOVE ECM

(a) Remove the 2 nuts and the ECM cover.

(b) Remove the 2 nuts and the ECM.



8. REMOVE EVAPORATOR

(a) Remove the 6 screws and the lower cover.

(b) Remove the 4 screws and the evaporator cover.

(c) Remove the evaporator.

INSTALLATION HINT: If evaporator was replaced, add compressor oil to the compressor.

Add 40 cc (1.4 fl.oz.)

Compressor oil

ND-OIL 8 or equivalent

EVAPORATOR INSPECTION

1. **INSPECT FINS FOR BLOCKAGE**

If the fins are clogged, clean them with compressed air.

NOTICE: Never use water to clean the evaporator.

2. **INSPECT FITTING FOR CRACKS OR SCRATCHES**

Repair as necessary.

EVAPORATOR INSTALLATION

Installation is in the reverse order of removal.

HEATER RADIATOR HEATER RADIATOR REMOVAL AND INSTALLATION

(See page [AC-82](#))

HEATER RADIATOR INSPECTION

- INSPECT FINS FOR BLOCKAGE**

If the fins are clogged, clean them with compressed air.