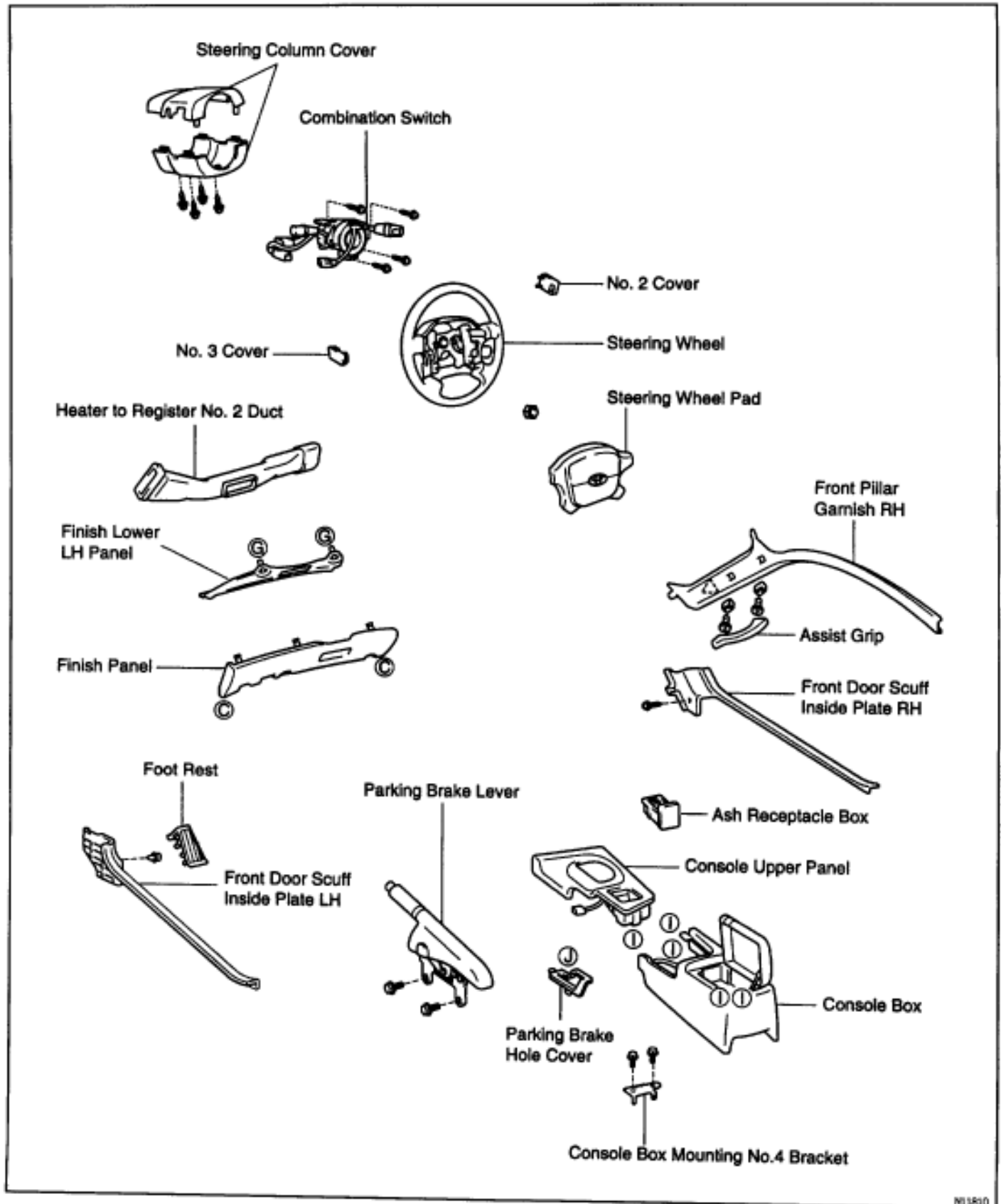
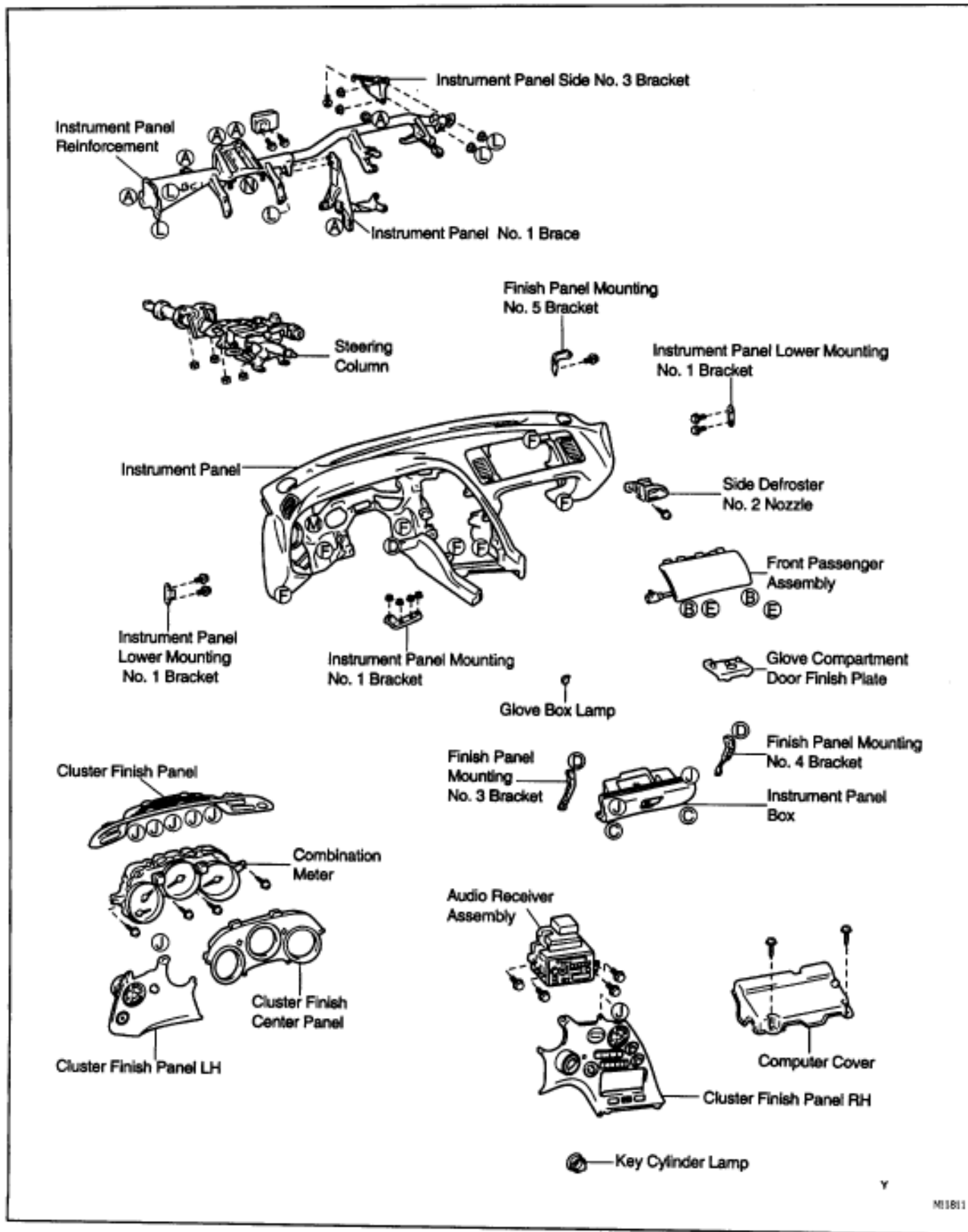


INSTRUMENT PANEL COMPONENTS

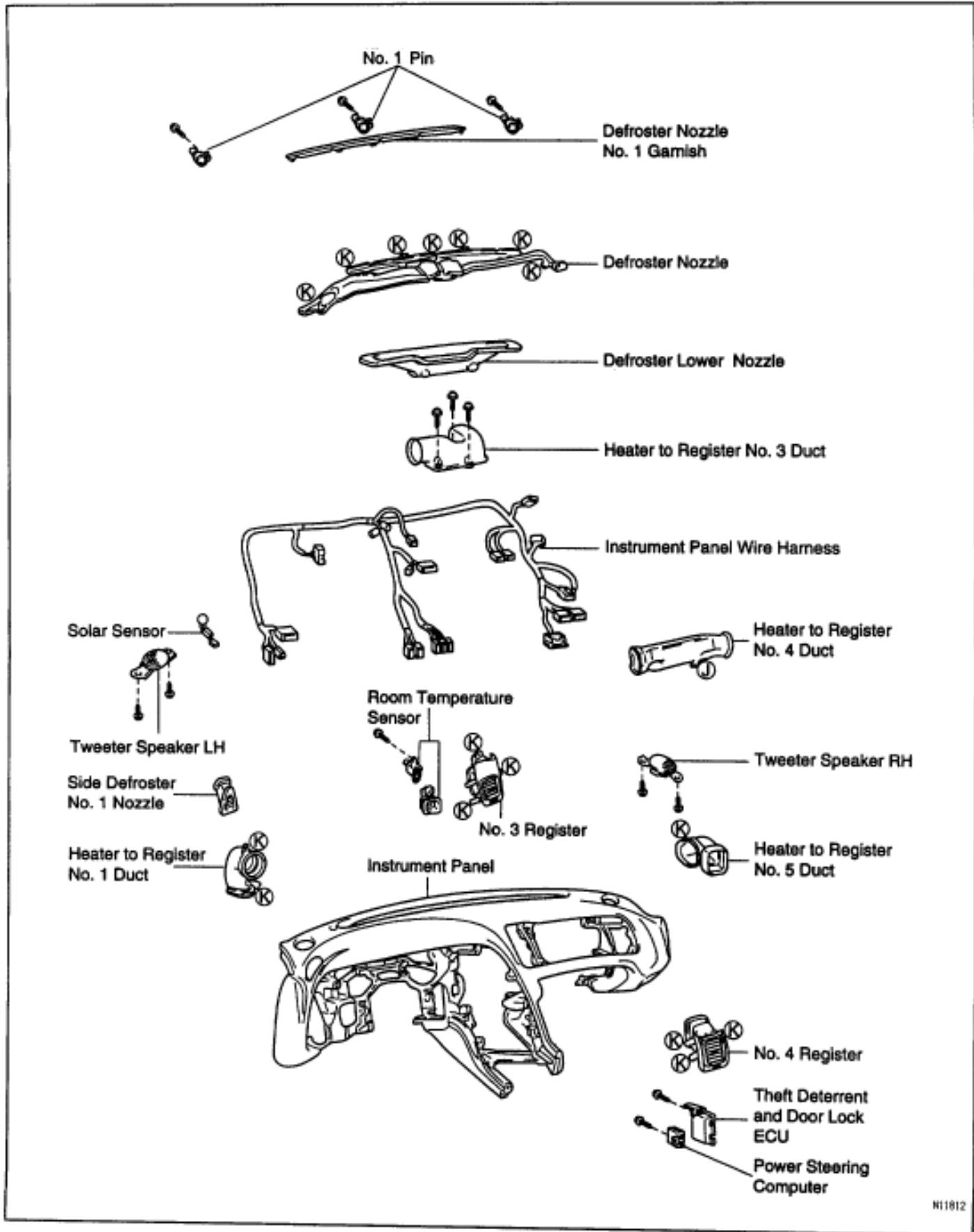


COMPONENTS (Cont'd)



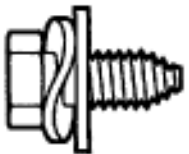

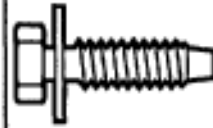


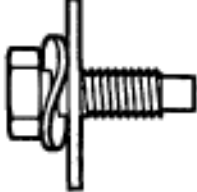
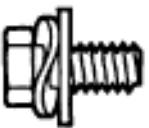







Y

COMPONENTS (Cont'd)



HINT: Screws in the illustration on the previous pages are indicated using the code below for removal and installation of instrument panel.

mm(in.)

	Shape	Size		Shape	Size		Shape	Size
(A)		$\varnothing = 8$ (0.31) L = 20 (0.79)	(B)		$\varnothing = 8$ (0.31) L = 18 (0.71)	(C)		$\varnothing = 6$ (0.24) L = 25 (0.98)
(D)		$\varnothing = 6$ (0.24) L = 23 (0.91)	(E)		$\varnothing = 6$ (0.24) L = 22 (0.87)	(F)		$\varnothing = 6$ (0.24) L = 20 (0.79)
(G)		$\varnothing = 6$ (0.24) L = 16 (0.63)	(H)		$\varnothing = 5$ (0.20) L = 12 (0.47)	(I)		$\varnothing = 5$ (0.20) L = 18 (0.71)
(J)		$\varnothing = 5.22$ (0.2055) L = 16 (0.63)	(K)		$\varnothing = 5$ (0.20) L = 14 (0.55)	(L)		$\varnothing = 8$ (0.31)
(M)		$\varnothing = 6$ (0.24)	(N)		$\varnothing = 8$ (0.31) L = 25 (0.98)			

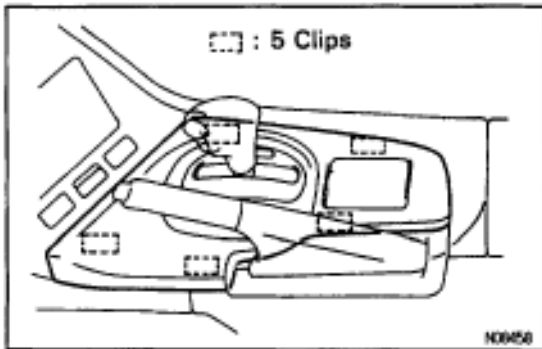
INSTRUMENT PANEL REMOVAL

1. REMOVE STEERING WHEEL

(See page [SR-14](#))

CAUTION:

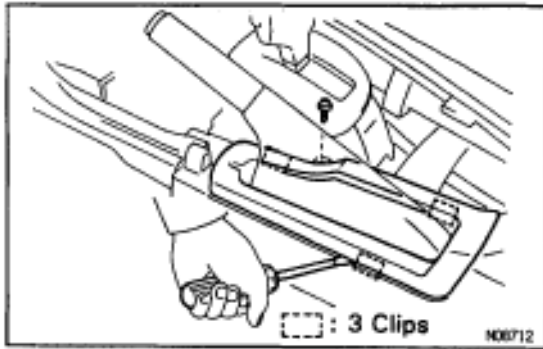
- When storing the wheel pad, keep the upper surface of the pad facing upward.
- Never disassemble the steering wheel pad.



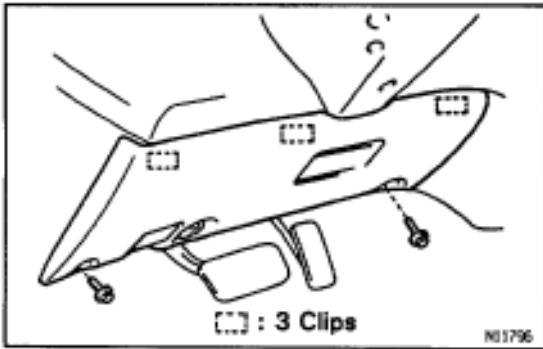
2. REMOVE THESE PARTS:

HINT: Tape a screwdriver tip before use.

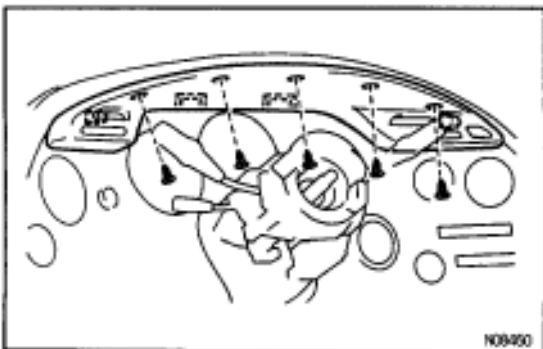
- Front pillar garnishes
- Assist grip
- Foot rest
- Front door scuff inside plates
- Steering column cover
- Console upper panel



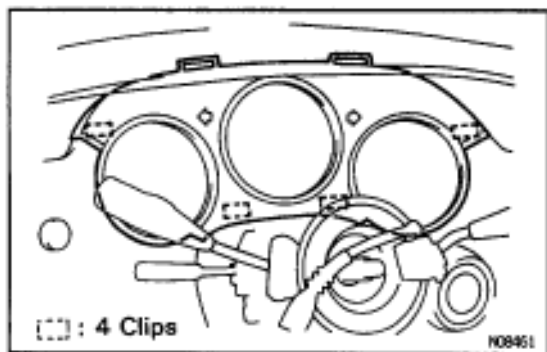
- Parking brake hole cover
- Console box



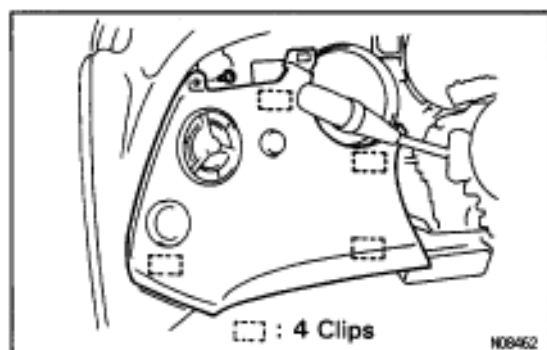
- Finish panel
- Finish lower LH panel



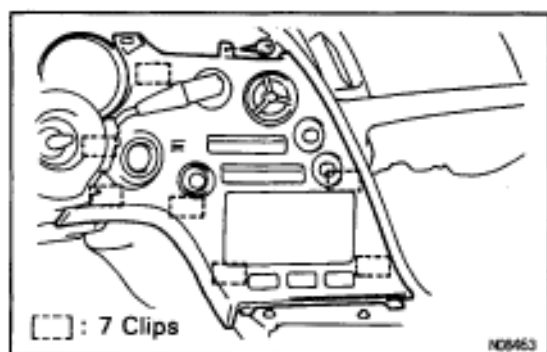
- Cluster finish panel



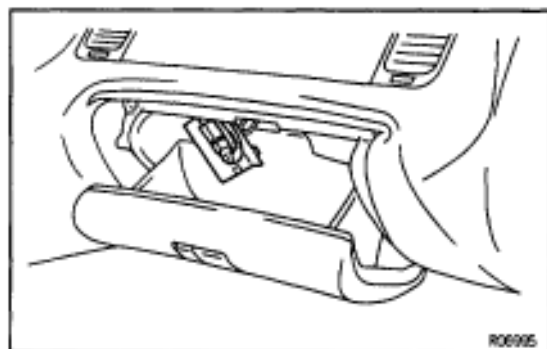
(l) Cluster finish panel center



(m) Cluster finish panel LH



- (n) Cluster finish panel RH
- (o) Combination meter
- (p) Heater to register No.2 duct
- (q) Combination switch
- (r) Audio receiver assembly
- (s) Computer cover

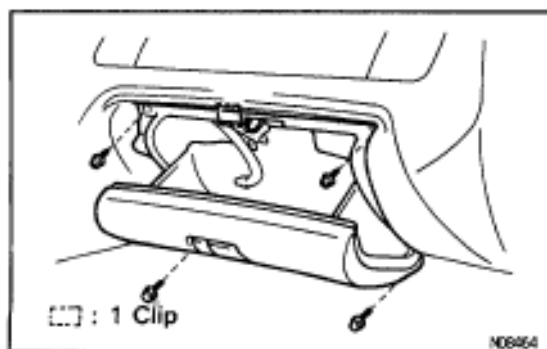
**3. REMOVE INSTRUMENT PANEL BOX**

HINT: Tape a screwdriver tip before use.

- (a) Remove the glove compartment door finish plate inside the instrument panel box.

NOTICE: When handling the airbag connector, take care not to damage the airbag wire harness.

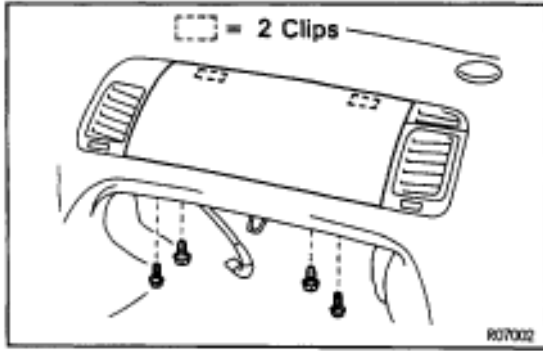
- (b) Pull up and disconnect the airbag connector.



- (c) Remove the instrument panel box.

4. REMOVE THESE PARTS

- (a) Finish panel mounting No.3 and 4 bracket
- (b) Heater to register No.4 duct
- (c) Finish panel mounting No.2 bracket

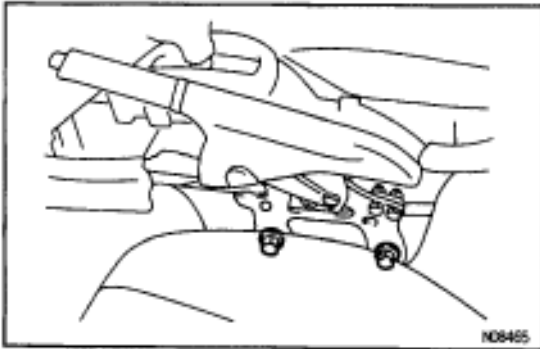


5. REMOVE FRONT PASSENGER AIRBAG ASSEMBLY

- (a) Remove the 4 bolts and 2 clips.
- (b) Remove the front passenger airbag assembly.

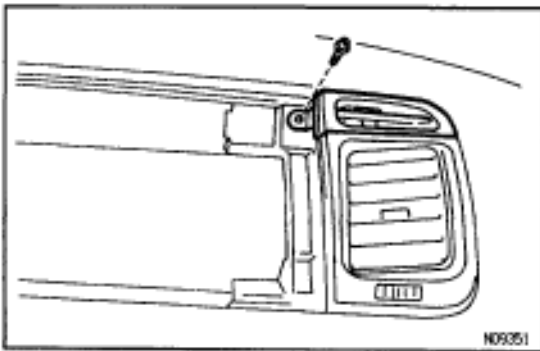
CAUTION:

- Do not store the front passenger airbag assembly with the airbag door facing down.
- Never disassemble the front passenger airbag assembly.

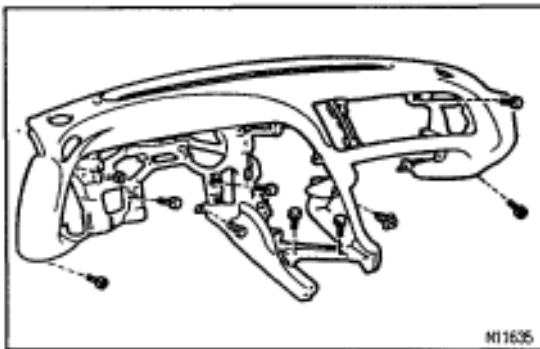


6. REMOVE THESE PARTS

- (a) Parking brake lever (2 bolts)



- (b) Side defroster No.2 nozzle
 - (c) Steering column (4 nuts)
- Torque: 25 N·m (260 kgf·cm, 19 ft·lbf)**



6. REMOVE INSTRUMENT PANEL

- (a) Disconnect the connectors.
 - (b) Remove the nut, screw, 8 bolts and the instrument panel.
- Torque: 8.8 N·m (90 kgf·cm, 78 ft·lbf)**

7. REMOVE INSTRUMENT PANEL REINFORCEMENT

- (a) Remove 6 bolts, 6 nuts and the instrument panel reinforcement.
- Torque: 21 N·m (210 kgf·cm, 15 ft·lbf)**
- (b) Remove the bolt and the instrument panel No.1 brace.
 - (c) Remove the bolt, 2 nuts and the instrument panel side No.3 bracket.

INSTRUMENT PANEL DISASSEMBLY

1. REMOVE THESE PARTS FROM INSTRUMENT PANEL

- (a) Defroster nozzle garnish
- (b) Defroster nozzle
- (c) Solar sensor
- (d) Speakers
- (e) Side defroster No.1 nozzle
- (f) No.1 bracket
- (g) Heater to register No.5 duct
- (h) No.4 register
- (i) Heater to register No.1 duct
- (j) No.3 register
- (k) Striker plate
- (l) Instrument panel box light switch
- (m) Room temperature sensor
- (n) Theft deterrent and door lock ECU
- (o) Power steering computer
- (p) Audio mounting No.1 and No.2 bracket
- (q) No.2 and No.3 bracket
- (r) No.1 pins

2. REMOVE INSTRUMENT PANEL WIRE HARNESS

INSTRUMENT PANEL ASSEMBLY

Assembly is in the reverse order of disassembly.

INSTRUMENT PANEL INSTALLATION

Installation is in the reverse order of removal.