

C's

[si:z]

This new idea
Produced a series of performance parts
With UniCorn design.

Short Stroke Shift

**SHORT
STROKE
SHIFT**

UNICORN

T O Y O T A

S U P R A

[JZA80 6MT]

Installation Manual

Thank you very much in purchasing C's Short Stroke Shift

Please be sure to thoroughly read this manual before the installation of this product.
Please be sure to do the disassembling and installation procedures by two or more persons
for safety reasons.

C's will not be responsible of any claims and (or) any accidents if this product is not installed as
specified or installed on a non-compatible vehicle than specified on this manual.

Index

[1]	Safety Notes.	----- P 1
[2]	Parts list.	----- P 1
[3]	Disassemble procedure.	----- P 2 ~ P 4
[4]	Installation procedure.	----- P 4 ~ P 7
[5]	Amount of transmission Oil	----- P 7






1.1 Safety Notes

If the installation procedures are not done properly, the short stroke shifter will not just perform to its potential, it may also disturb the function of the vehicle. Please read carefully the following notes and install the shifter correctly.

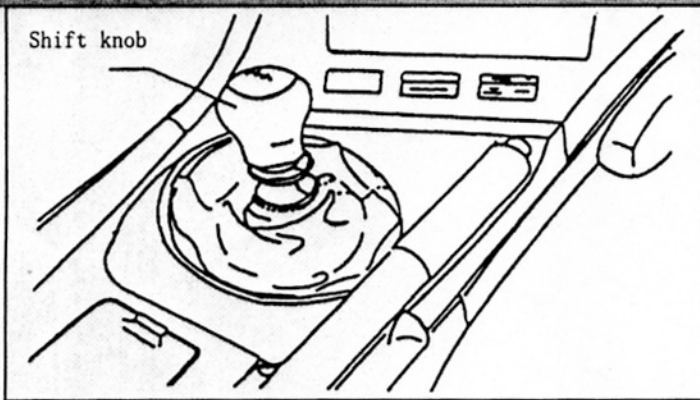
- 1) Read the manual thoroughly before the installation. If you have any doubts, do not hesitate to contact us.
- 2) The kit is designed to be compatible to a specific type of a vehicle. Install this kit after referring to the compatibility chart.
- 3) We are not responsible of any malfunctions and (or) accident if the installation of this kit is not performed as specified and (or) installed to a different vehicle than specified in the compatibility chart.
- 4) This manual only explains the procedures in installing the shifter. If for some reason other components are disassembled, refer to the vehicle's manufacturer manual for correct reassemble procedures.
- 5) Make sure to inspect all the components of this kit before installation.
- 6) Please be sure to do the disassembling and installation procedures by two or more persons for safety reasons.
- 7) To prevent injuries, wear protective clothing.
- 8) To prevent burns, do not perform the installation immediately after the vehicle has been in operation.
- 9) Inspect thoroughly all the sections for loose components after the installation procedure is done to prevent any possibilities to cause an accident.
- 10) Apply grease to the sections noted in this manual.
- 11) There is a possibility to cause problems to the transmission, clutch, etc if the C's short stroke shifter is operated at the same timing as the stock shifter. Be careful of engine rotation, speed, and operation speed, and avoid harsh shifting.
- 12) Vehicles equipped with a wire to connect the transmission and the shifter, the wire might be stretched depending on the mileage and driven conditions.
- 13) To increase quality, changes might occur without preliminary announcements.
- 14) Securely keep this manual even after installation.
- 15) Check the clutch for abnormalities (wear, defect, etc) since it might be the cause or cause hard shifting.

1.2 Parts List

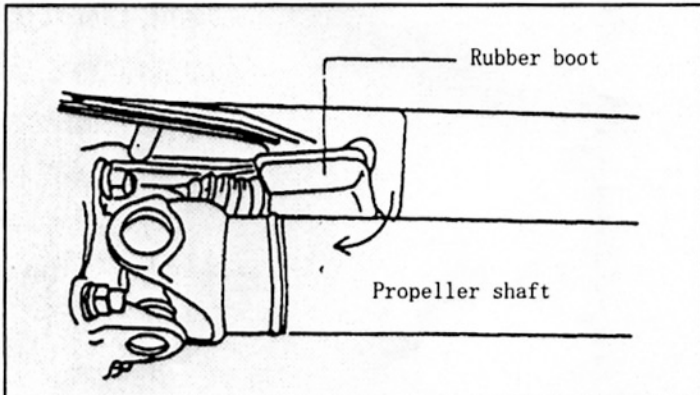
Make sure to check for all the parts before installation

①	C's Short Stroke Shifter	1 Set		③	Spacer	1	
				④	Bolt	4	
②	Collar	1		⑤	Boot Band	1	

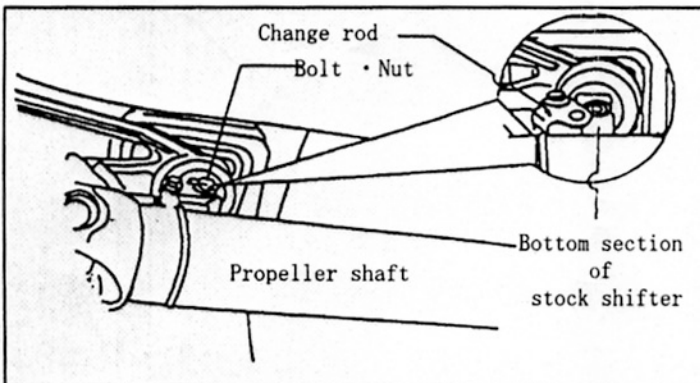
3] Disassemble procedure.



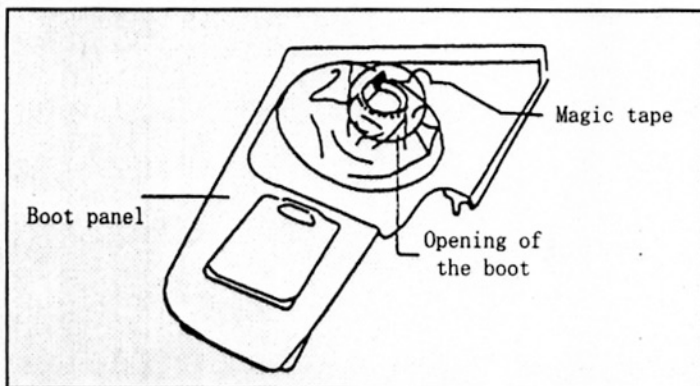
1. Remove the shift knob.



2. Lift the vehicle and pull over the rubber boot of the change rod.



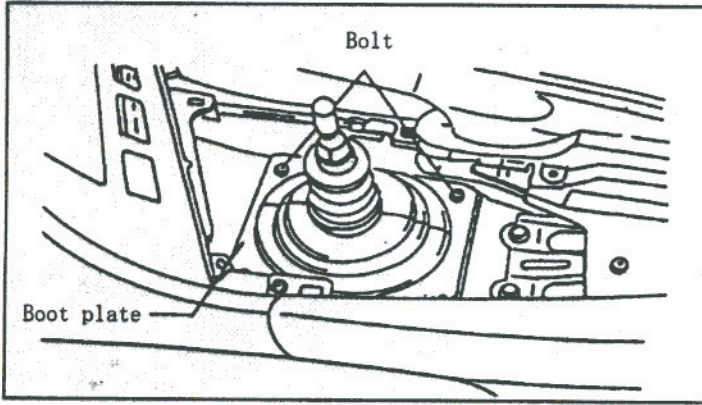
3. Remove the bolt and nut holding the change rod and the bottom part of the stock shifter.



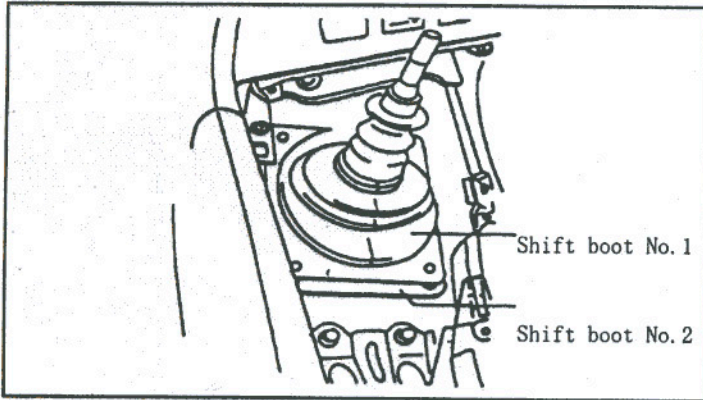
4. Remove the boot panel from the interior of the vehicle.
(Inserting type)

*Use a magic tape at the opening of the boot.

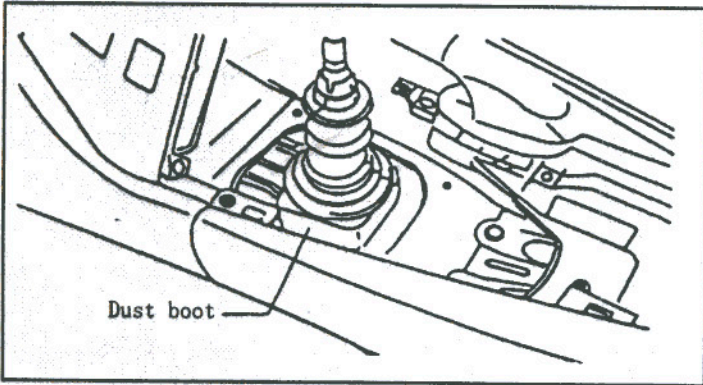
*Disconnect the coupler of the harness.



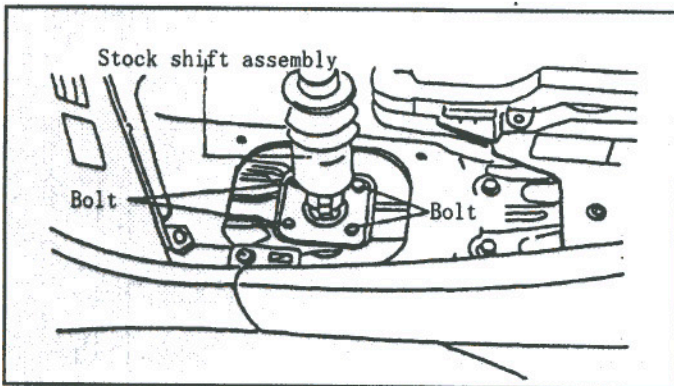
5. Loosen the bolt and remove the boot plate.



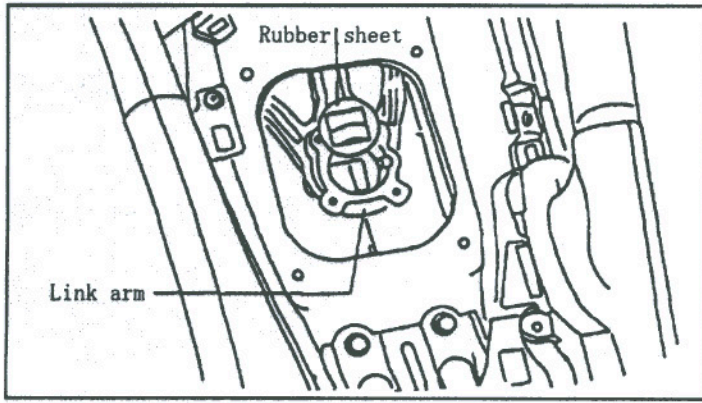
6. Remove the shift boot No. 1 and 2.



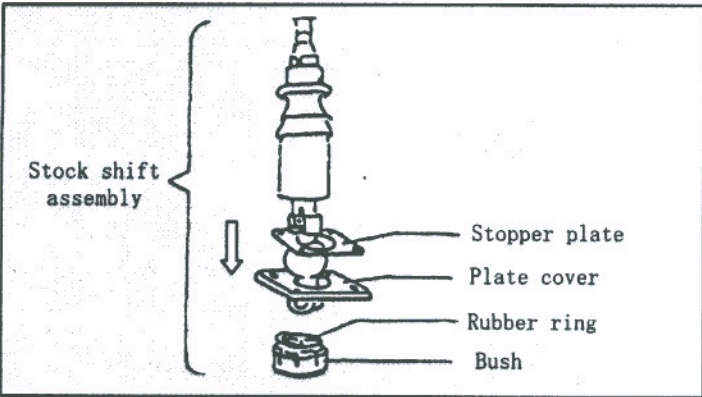
7. Pull up to remove the dust boot.
*Use a lubricant for easy removal.



8. Loosen 4 bolts then pull upwards to remove the stock shift assembly.

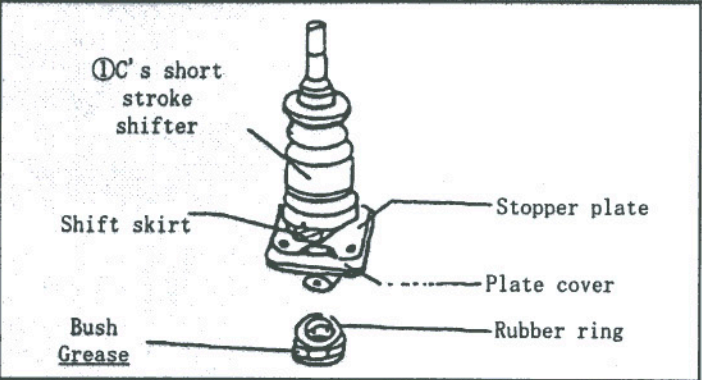


9. Remove the rubber sheet from the link arm.

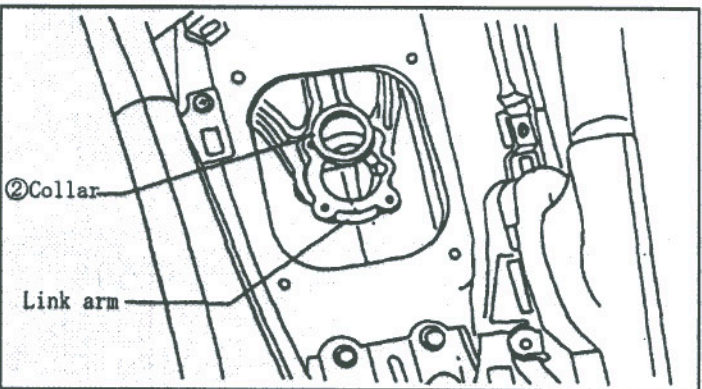


10. Remove the bush, rubber ring, plate cover and the stopper plate from the stock shift assembly.

4. Installation procedure.



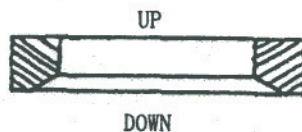
1. Assemble the ①C's short stroke shifter with the components removed on step [3] 10. (Stopper plate, plate cover, bush and rubber ring)

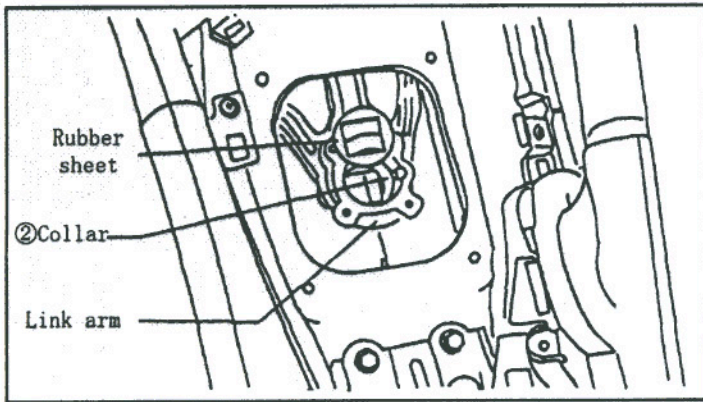


2. Place the ②Collar in the link arm.

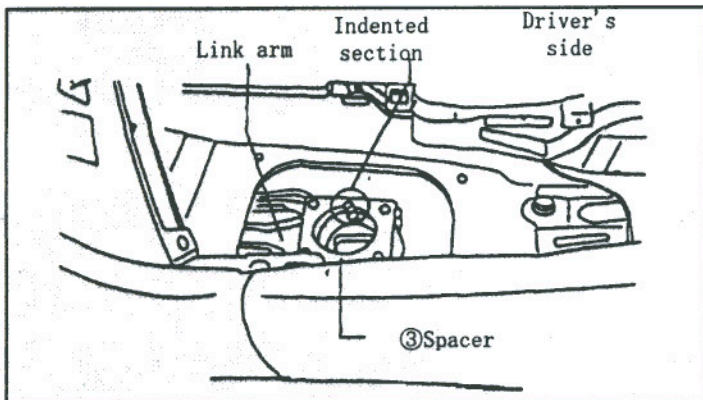
*There is a direction on the ②collar.

② Collar

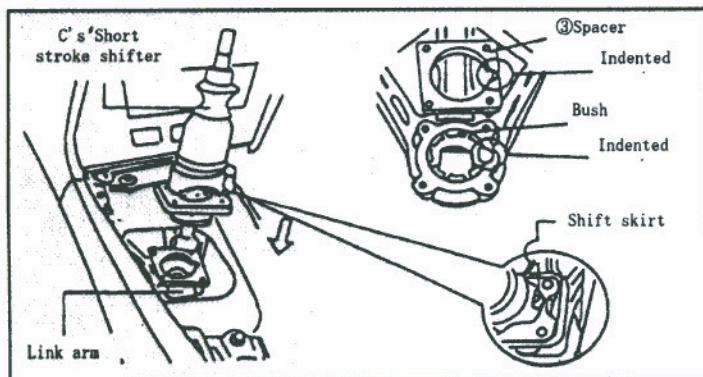




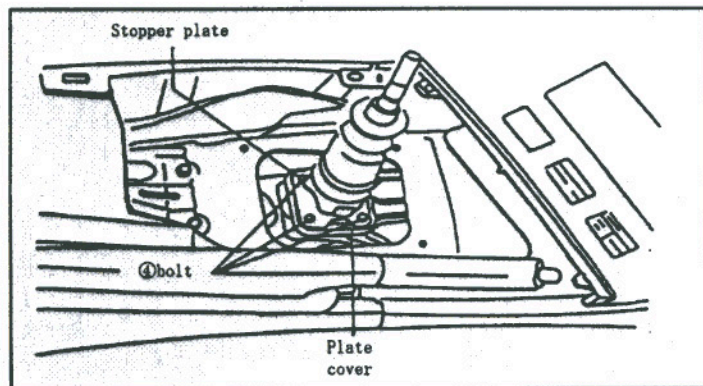
3. Place the rubber sheet removed on [3] 9. on the ② collar.



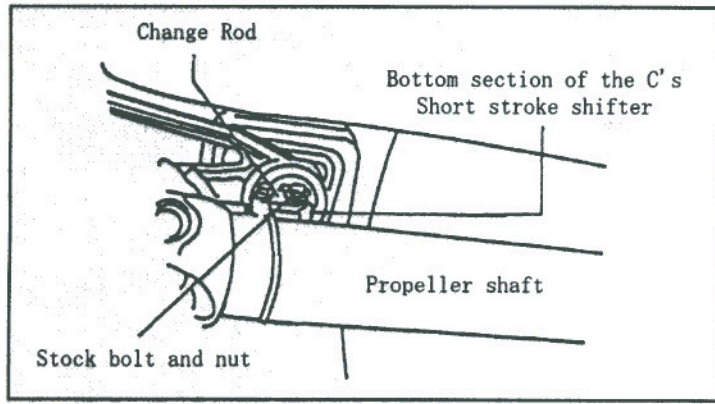
4. Place the ③ spacer on the link arm.
- *Place the indented section of the ③ spacer towards the driver.



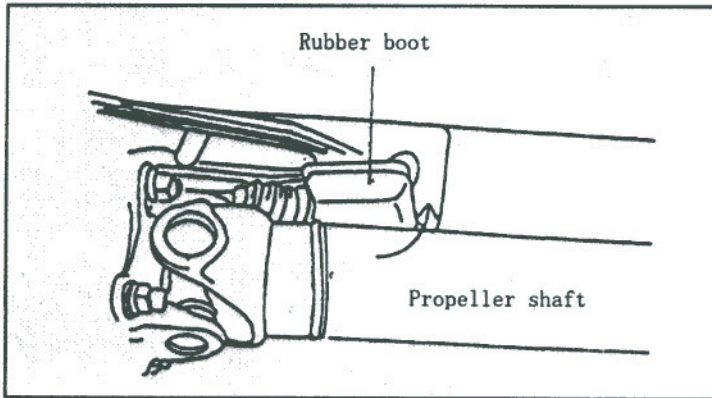
5. Insert the assembled C's short stroke shifter with the stock components into the link arm. Make sure to align the indented section of the ③ spacer and the bush.
- *Place the shift skirt toward the driver.



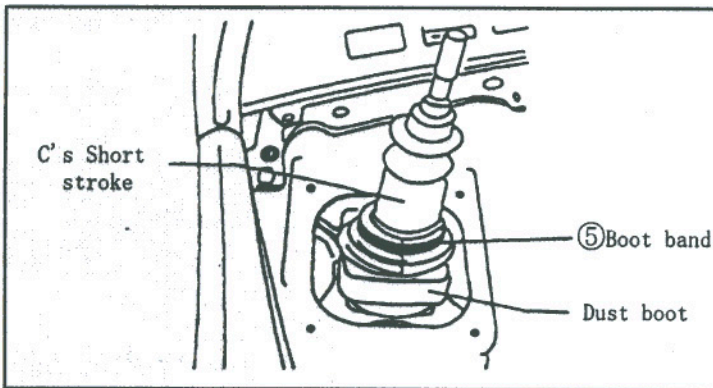
6. Make sure the bolt holes of the plate cover, stopper plate and rubber ring are aligned before tightening the ④ bolt.



7. Lift up the vehicle, use the stock bolt and nut to lock in place the change rod and the bottom section of the ①C's Short stroke shifter.

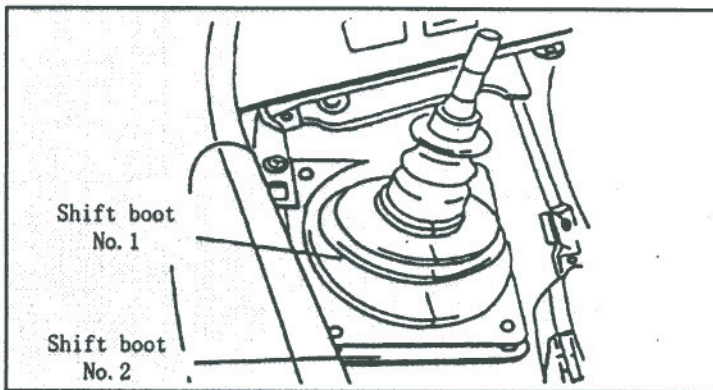


8. Install the rubber boot to the change rod.



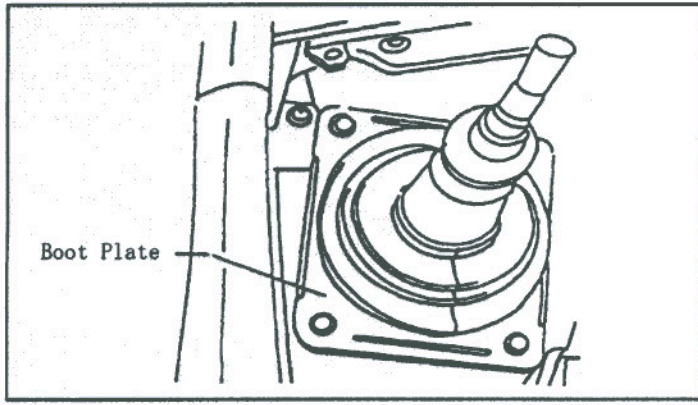
9. Install the Dust boot from the interior of the vehicle and tighten using the ⑤ boot band.

*Use a lubricant for easy installation.

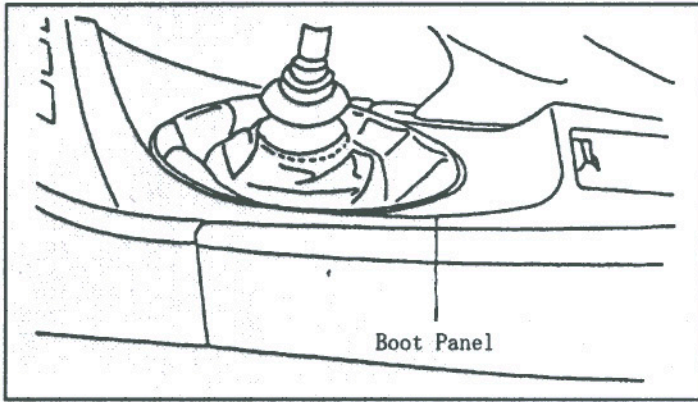


10. Install the shift boot No. 1 and No. 2.

*Use a lubricant for easy installation

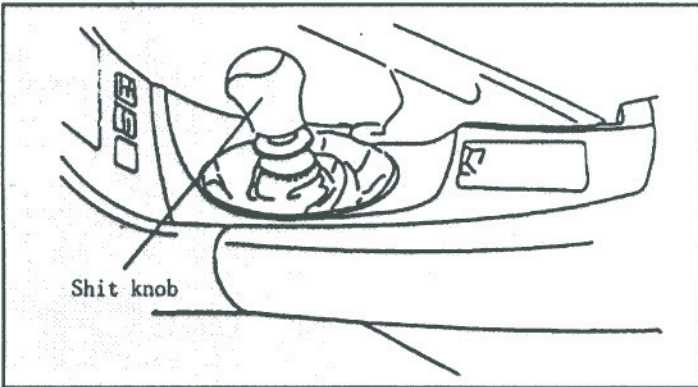


11. Install the boot plate.



12. Install the boot panel.

*Connect the harness coupler.



13. Install the shift knob.

*Do not over tighten.

Transmission Oil

Fill up the right amount of transmission oil.

*Use the transmission oil referred by the manufacturer.

JZA80 (6MT)

----- 1. 8 Liter