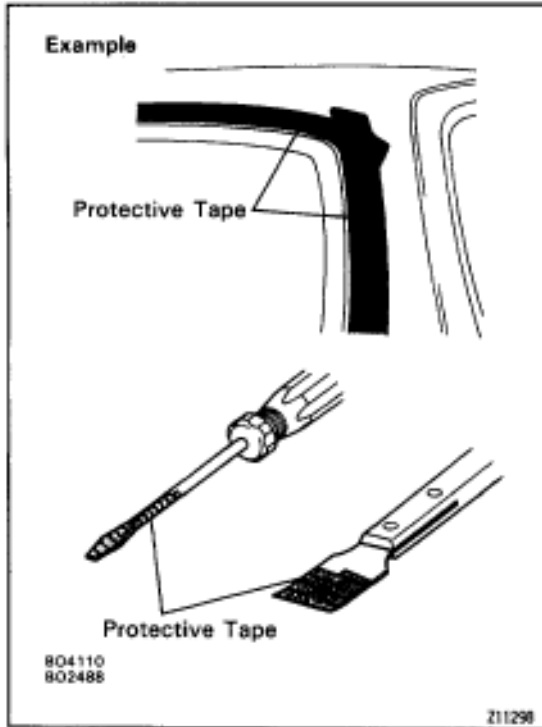

BODY



GENERAL INFORMATION

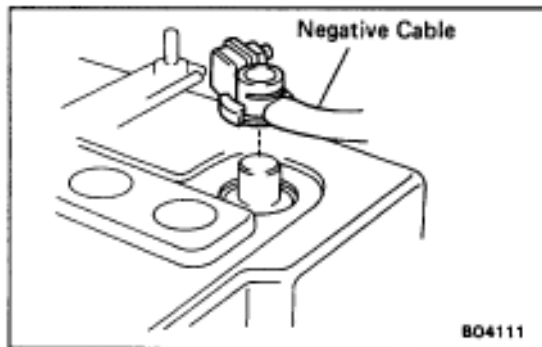
HANDLING PRECAUTIONS

Taping

When it is possible that the body or parts may be scratched during the operation, apply protective tape before starting work.

Example:

1. Before starting work, apply protective tape to body surfaces around parts to be removed and installed.
2. Before prying parts loose with a screwdriver or scraper etc., apply protective tape to the tip of the tool to avoid scratching parts or painted surfaces of the body.



Battery

In order to prevent a short circuit while doing work on the electrical circuit such as disconnecting a connector, first turn off the ignition switch and disconnect the negative (-) terminal cable from the battery before starting work.

HINT: When battery voltage is required for operation of a functioning part, connect the cable to the battery when needed, and promptly disconnect it when no longer necessary.

CAUTION:

- **Work must be started after 90 seconds from the time the ignition switch is turned to the "LOCK" position and the negative (-) terminal cable is disconnected from the battery.**
- **To avoid erasing the memory of each memory system, never use a back-up power supply from outside the vehicle.**

Fitting Adjustments

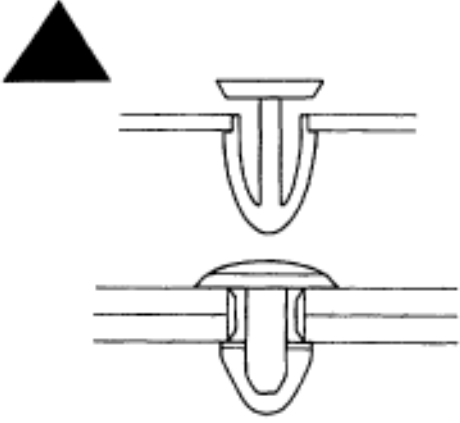
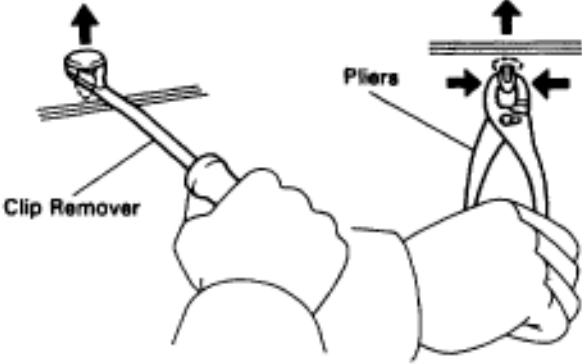
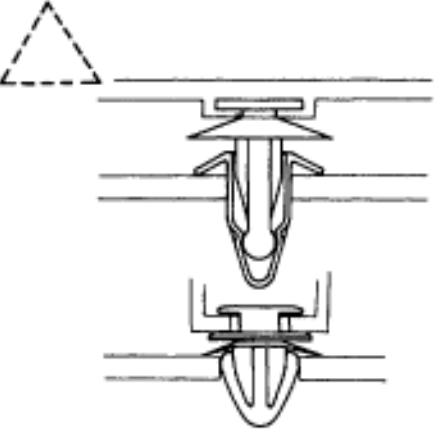
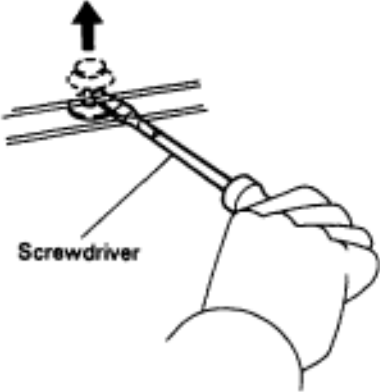
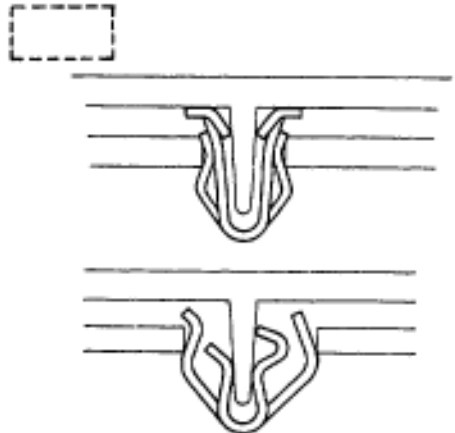
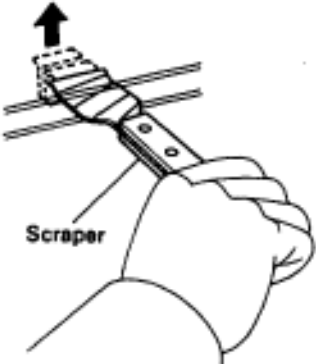
When removing and installing body panels which have a pre-load value, after installation refer to the page containing the installation adjustment methods, and make adjustments according to the required specifications.

HINT: When making adjustments, do not completely loosen the bolts and nuts of the part being adjusted. Tighten them appropriately, and move the panels by hand to align them.


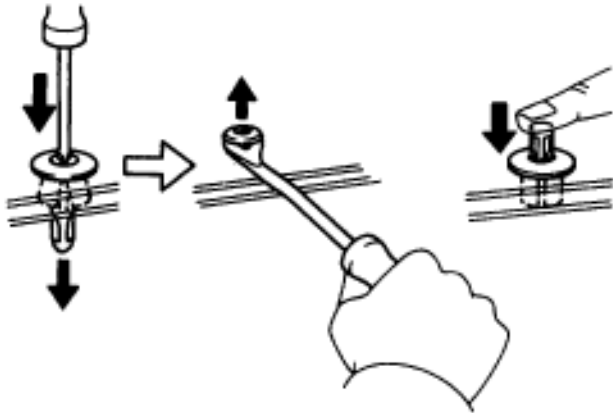
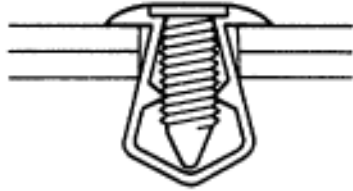
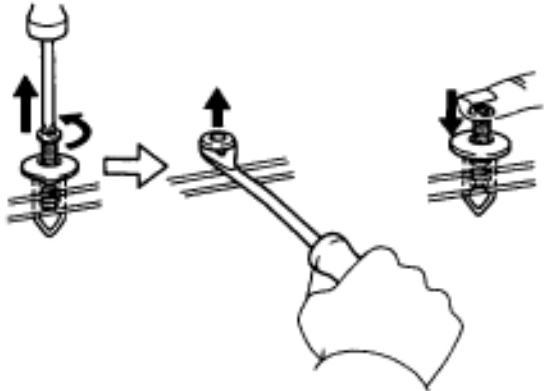
CLIPS

The removal and installation methods of typical clips used in body parts are shown in the table below.

HINT: If the clip is damaged during the operation, always replace it with a new clip.

Shape (Example)	Removal/Installation
 <p style="text-align: right;">804116</p>	 <p style="text-align: right;">804117</p>
 <p style="text-align: right;">804118</p>	 <p style="text-align: right;">804119</p>
 <p style="text-align: right;">804120</p>	 <p style="text-align: right;">804121</p>

CLIPS (Cont'd)

Shape (Example)	Removal/Installation
 <p>BO4122</p>	<p>Removal Installation</p>  <p>BO4123</p>
 <p>BO4124</p>	<p>Removal Installation</p>  <p>BO4125</p>




SRS (Supplemental Restraint System)

The 1995 SUPRA is equipped with an SRS, such as the driver airbag and front passenger airbag assembly. Failure to carry out service operations in the correct sequence could cause the SRS to deploy, possibly leading to a serious accident.

When removing or installing of airbag parts and the yellow wire harness and connector for the airbag is necessary, refer to the precautionary notices in the RS section before performing the operation.

- Work must be started after 90 seconds from the time the ignition switch is set to the LOCK position and the negative (–) terminal cable is disconnected from the battery.
(The SRS is equipped with a back-up power source so that if work is started within 90 seconds of disconnecting the negative (–) terminal cable of the battery, the SRS may deploy.)
- To avoid erasing the memory of each memory system, never use a back-up power supply from outside the vehicle.
- Before repairs, remove the airbag sensors if shocks are likely to be applied to the sensors during repairs.
- The front airbag sensor set bolt has been anti-rust treated. When the sensor is removed, always replace the set bolt with a new one.
- If the front airbag sensors, center airbag sensor assembly, steering wheel pad or front passenger airbag assembly have been dropped, or if there are cracks, dents or other defects in the case, bracket or connector, replace them with new ones.
- Never use SRS parts from another vehicle. When replacing parts, replace them with new parts.
- Do not expose the front airbag sensors, center airbag sensor assembly, steering wheel pad or front passenger airbag assembly directly to hot air or flames.
- The SRS wire harness is integrated with the cowl wire harness assembly. The wires for the SRS wire harness are encased in a yellow corrugated tube. All the connectors for the system are also a standard yellow color. If the SRS wire harness becomes disconnected or the connector becomes broken due to an accident, etc., repair or replace it. (See RS section)
- The steering wheel must be fitted correctly to the steering column with the spiral cable at the neutral position; otherwise, cable disconnection and other troubles may result. Refer to RS section of this manual concerning correct steering wheel installation.
- When removing or handling the steering wheel pad or front passenger airbag assembly, it should be placed with their top surface facing up. In this case, the twin-lock type connector lock lever should be in the locked state and care should be taken to place it so the connector will not be damaged. (Storing the pad with its metallic surface up, the front passenger airbag assembly with the airbag door facing down may lead to a serious accident if the airbag inflates for some reason.)
- Grease should not be applied to the steering wheel pad or the front passenger airbag assembly, and they should not be cleaned with detergents of any kind.
- Store the steering wheel pad or the front passenger airbag assembly where the ambient temperature remains below 93°C (200°F), without high humidity and away from electrical noise.
- Information labels are attached to the periphery of the SRS components. Follow the notices.
- When the ignition switch is at ACC or ON and the SRS warning light remains on, the center airbag sensor assembly has detected a malfunction code. (See RS section)

PREPARATION SST (SPECIAL SERVICE TOOLS)

	09812-00010	Door Hinge Set Bolt Wrench	Door side hinge bolt adjustment
	09812-00020	Door Hinge Set Bolt Wrench	Body side hinge bolt adjustment
	09806-30010	Windshield Moulding Remover	

LUBRICANT

Item	Capacity	Classification
MP grease	—	—

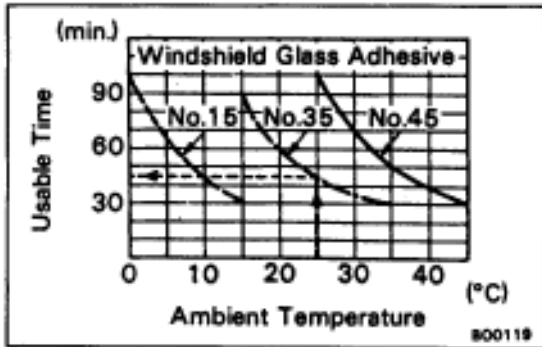
SSM (SPECIAL SERVICE MATERIALS)

08833-00090	Adhesive 1131, THREE BOND 1131, LOCTITE 518 or equivalent	Front door Back door
08850-00070	Windshield glass adhesive set No.15 or equivalent	Windshield Quarter window glass Back door moulding and glass (0-15°C or 32-59°F)
08850-00080	Windshield glass adhesive set No.35 or equivalent	Windshield Quarter window glass Back door moulding and glass (15-35°C or 59-95°F)
08850-00090	Windshield glass adhesive set No.45 or equivalent	Windshield Quarter window glass Back door moulding and glass (35-45°C or 95-113°F)
08833-00030	Auto glass sealer or equivalent	Windshield moulding and glass Quarter window moulding and glass Back door moulding and glass
08850-00065	Butyl Tape Set	Roof side rail weatherstrip
08826-00080	Seal Packing Black or equivalent (FIGP)	Roof drip side finish moulding Roof side rail weatherstrip retainer

Ambient temperature	Part. No.	Part Name
0-15°C (32-59°F)	08850-00070	Windshield glass adhesive set No. 15
15-35°C (59-95°F)	08850-00080	Windshield glass adhesive set No. 35
35-45°C (95-113°F)	08850-00090	Windshield glass adhesive set No. 45

1. CHOOSE SUITABLE ADHESIVE SET

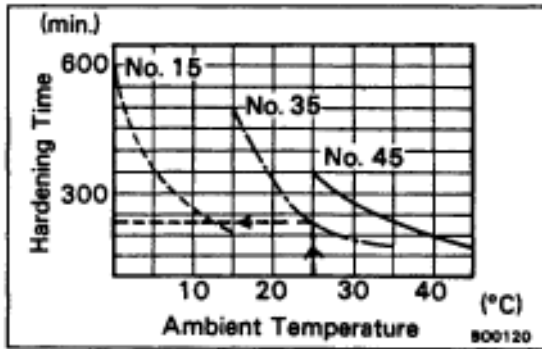
Use an adhesive set suitable for the ambient temperature.



2. CHECK ADHESIVE'S USABLE TIME

After mixing main and hardening agents, finish glass installation within the specified time as shown.

Example: For glass installation in an ambient temperature of 25°C (77°F), apply adhesive set No.35 within 45 minutes.



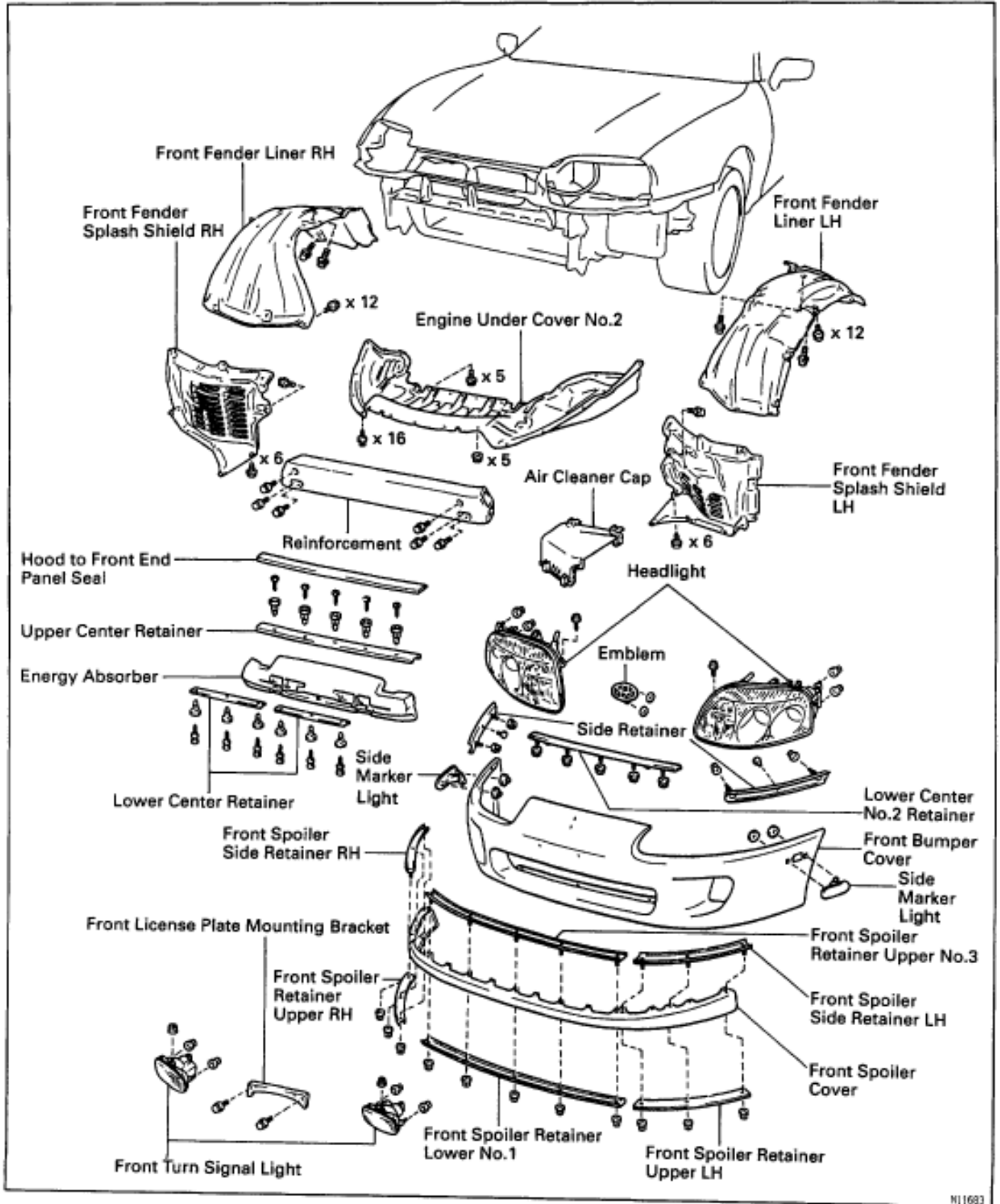
3. CHECK ADHESIVE HARDENING TIME

After main and hardening agents are mixed, leak tests should be made only after the hardening time has elapsed.

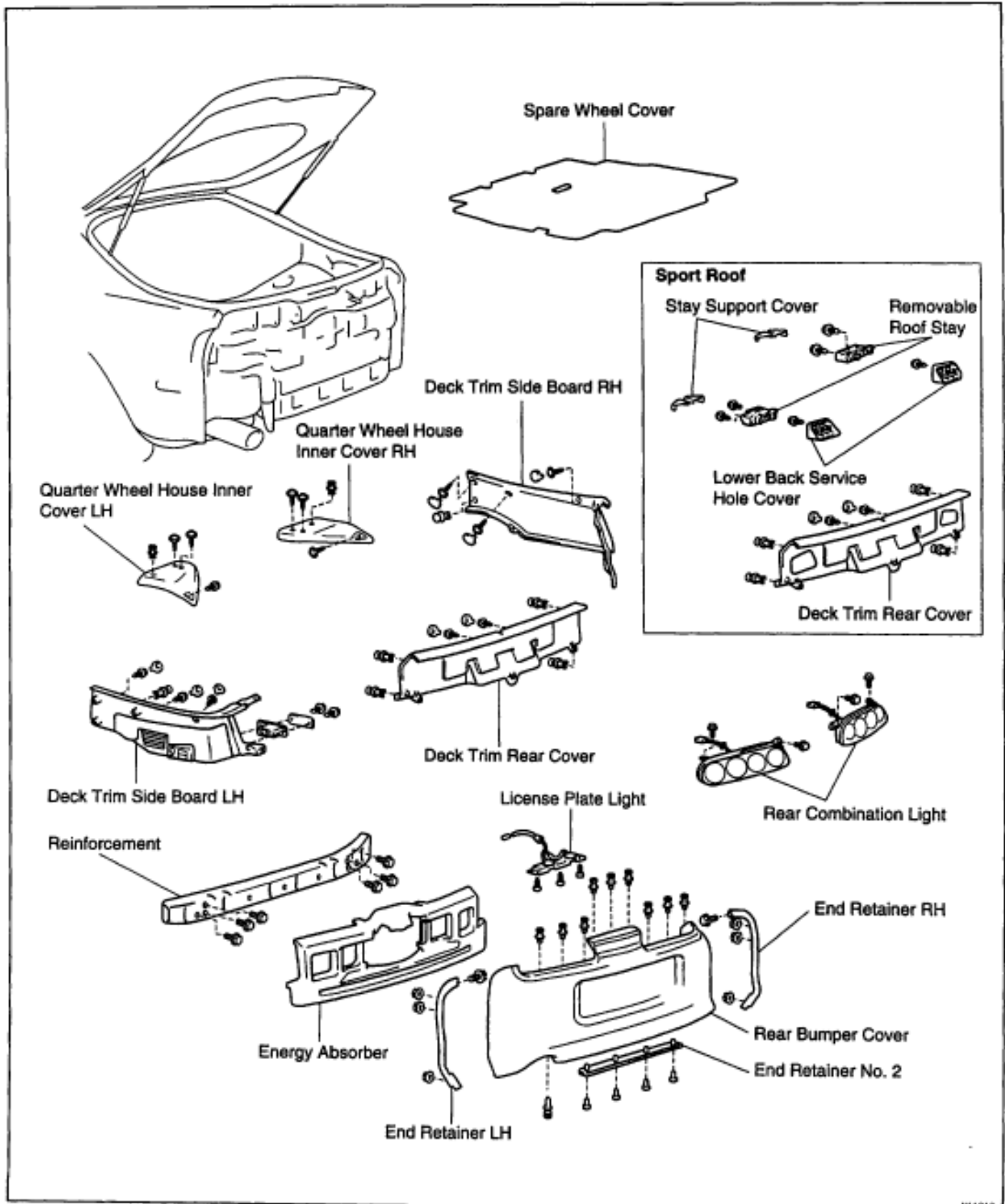
Example: The hardening time for adhesive set No.35 in an ambient temperature of 25°C (77°F) is 2 and 1/2 hours.

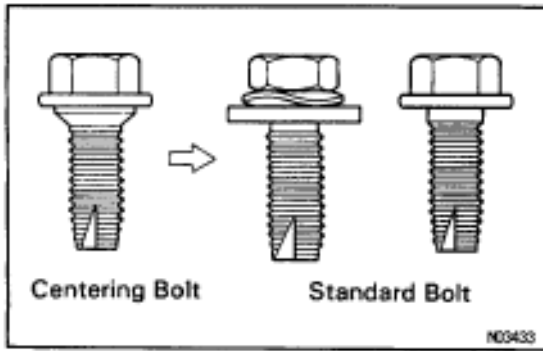
NOTICE: Do not drive the vehicle until at least double the hardening time has elapsed.

FRONT BUMPER COMPONENTS



REAR BUMPER COMPONENTS

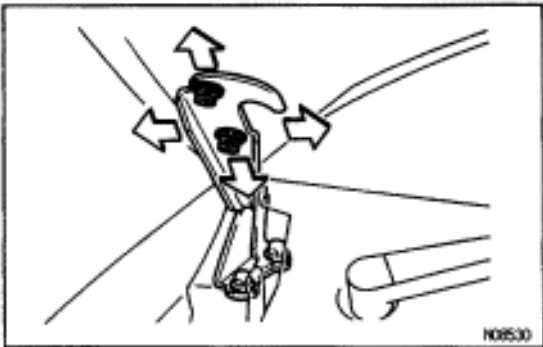




HOOD

HOOD ADJUSTMENT

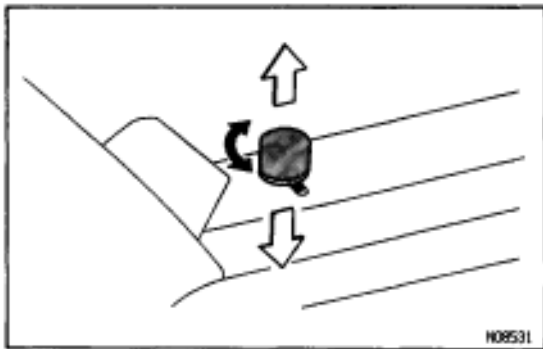
HINT: Since the centering bolt is used as the hood hinge and lock set bolt, the hood and lock cannot be adjusted with it on. Substitute the standard bolt for the centering bolt.



1. ADJUST HOOD IN FORWARD / REARWARD AND LEFT/RIGHT DIRECTIONS

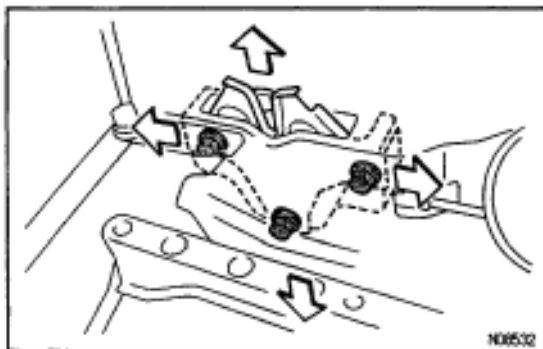
Adjust the hood by loosening the hood side hinge bolts.

Torque: 13 N·m (130 kgf·cm, 9.4 ft·lbf)



2. ADJUST FRONT EDGE OF HOOD IN VERTICAL DIRECTIONS

Adjust the hood by turning the cushions.

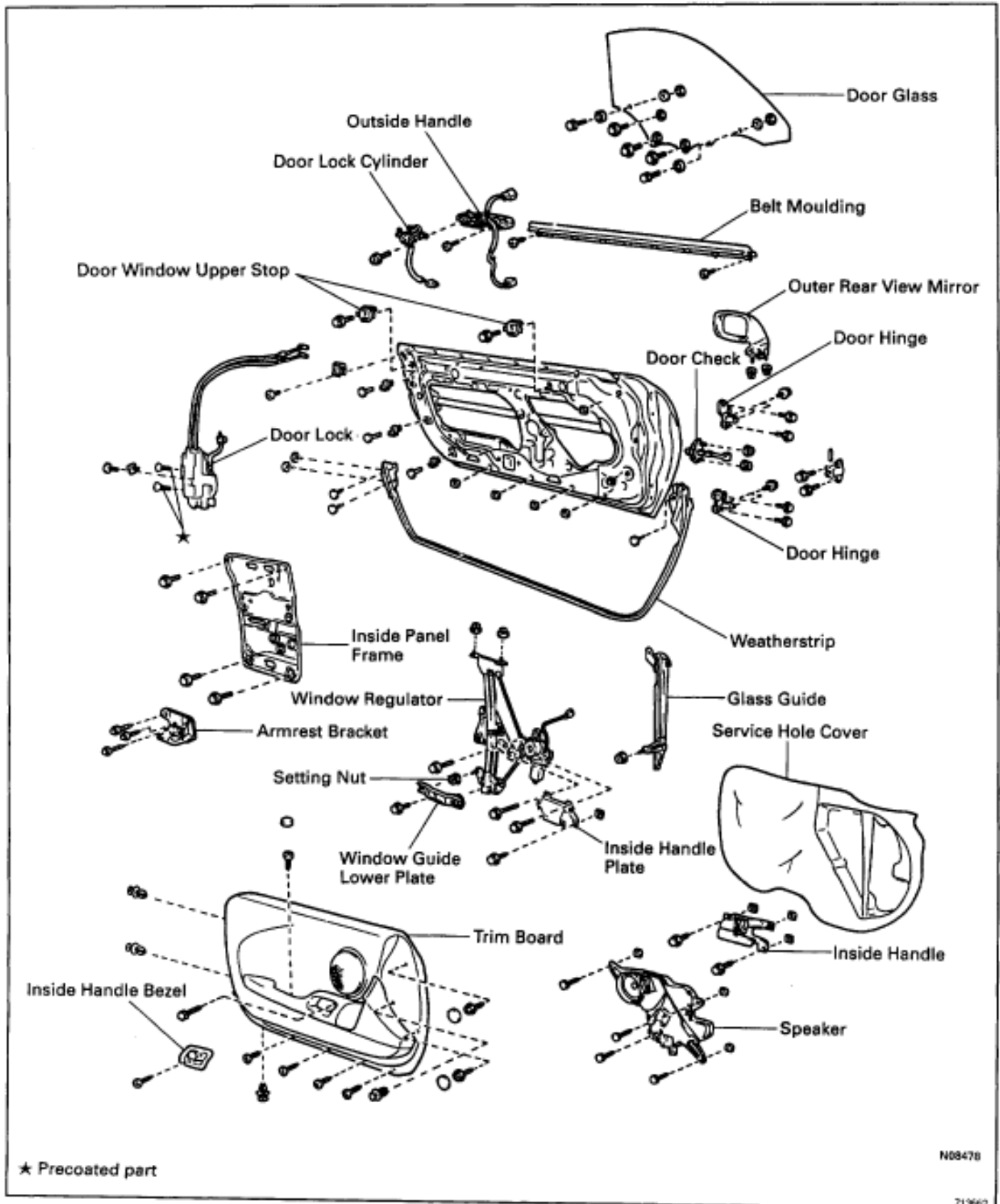


3. ADJUST HOOD LOCK

Adjust the lock by loosening bolts.

Torque: 8.8 N·m (90 kgf·cm, 78 in·lbf)

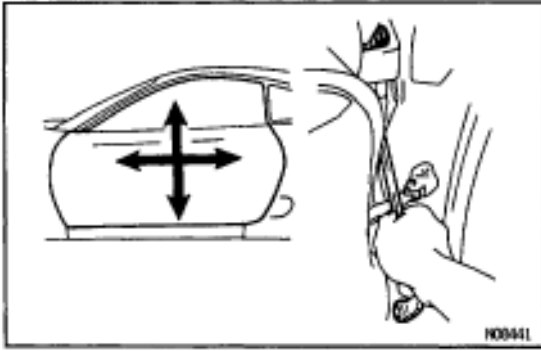
FRONT DOOR COMPONENTS



N08478

219662

FRONT DOOR ADJUSTMENT

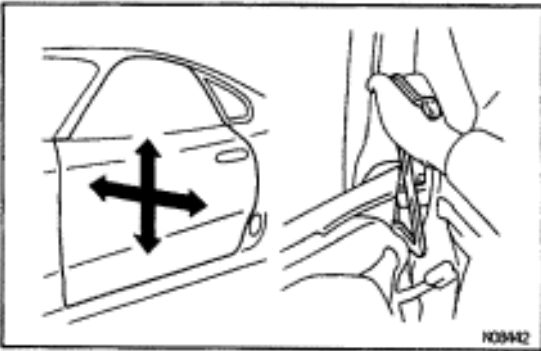


1. ADJUST DOOR IN FORWARD / REARWARD AND VERTICAL DIRECTIONS

Using SST, adjust the door by loosening the body side hinge bolts.

SST 09812-00020

Torque: 52 N·m (530 kgf·cm, 38 ft·lbf)



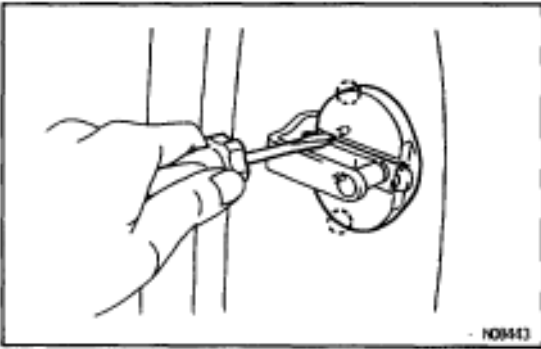
2. ADJUST DOOR IN LEFT/RIGHT AND VERTICAL DIRECTIONS

Using SST, adjust the door by loosening the door side hinge bolts.

SST 09812-00010

HINT: Substitute the standard bolt for the centering bolt. (See page [BO-10](#))

Torque: 25 N·m (260 kgf·cm, 19 ft·lbf)

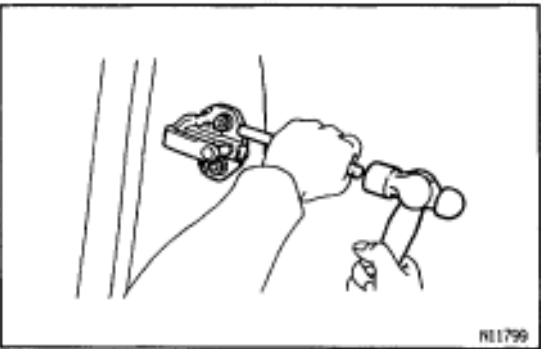


3. ADJUST DOOR LOCK STRIKER

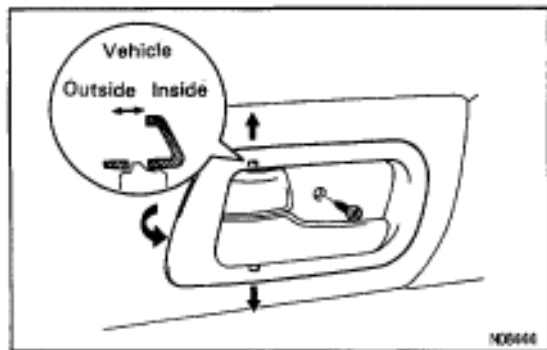
(a) Check that the door fit and door lock linkages are adjusted correctly.

(b) Using a screwdriver, remove the striker cover.

(c) Using a torx wrench, loosen the striker mounting screws.



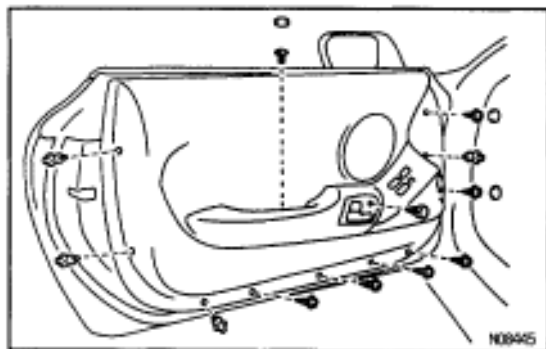
(d) Using a brass bar and hammer, tap the striker to adjust it.
CAUTION: Do not tap the striker too hard.



FRONT DOOR DISASSEMBLY

1. REMOVE INSIDE HANDLE BEZEL

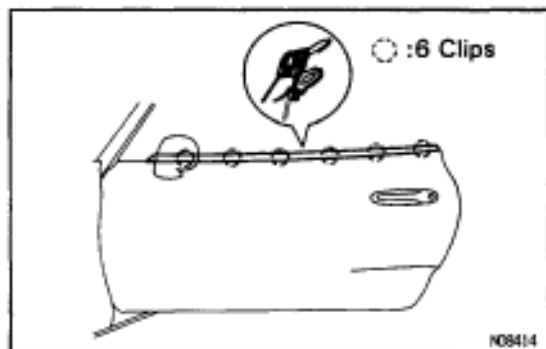
Remove the screw and pull the inside handle bezel.



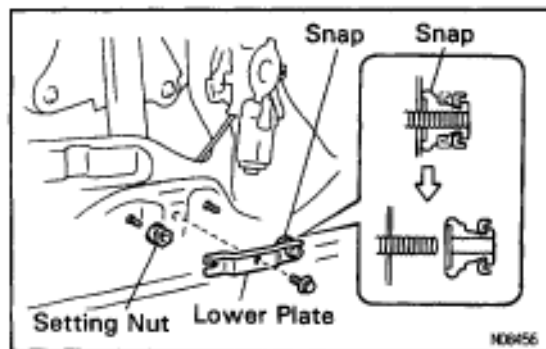
2. REMOVE TRIM BOARD

3. REMOVE THESE PARTS:

- (a) Speaker
- (b) Inside handle
- (c) Armrest bracket
- (d) Service hole cover
- (e) Inside handle plate
- (f) Weatherstrip



- (g) Belt moulding
- (h) Inside panel frame
- (i) Door glass

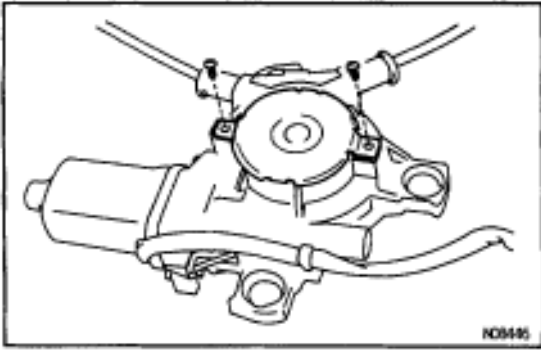


4. REMOVE WINDOW GUIDE LOWER PLATE

- (a) Remove the bolt of the lower plate and connector.
- (b) Unlock the snap by pulling the lower plate.
- (c) Remove the snap and lower plate from the stud bolt of the lower bracket.
- (d) Remove the setting nut from the lower bracket.

5. REMOVE THESE PARTS:

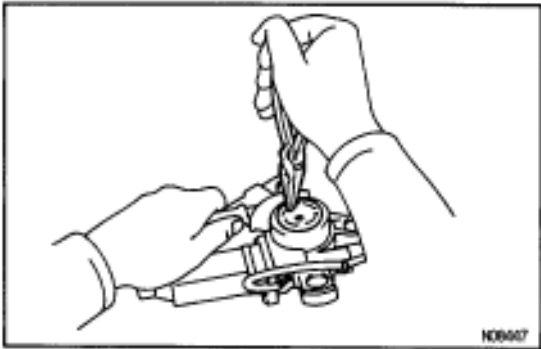
- (a) Window regulator
- (b) Door lock
- (c) Outside handle
- (d) Door lock cylinder
- (e) Outer rear view mirror



POWER WINDOW REGULATOR DISASSEMBLE AND REASSEMBLE

1. REMOVE POWER WINDOW MOTOR

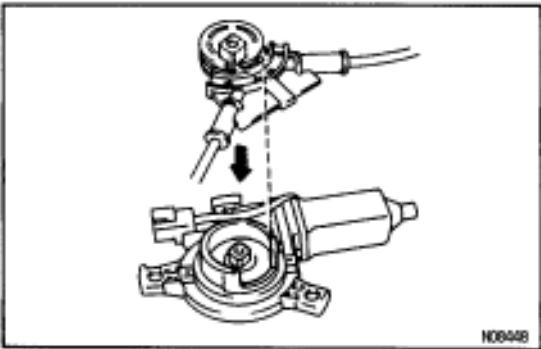
- (a) Remove 2 screws and the cover plate.



- (b) Pull out the drum while detaching the cable guide out from the motor.

HINT:

- Pull out the drum and the cable guide evenly without tilting the drum.
- Handle the window regulator carefully so that the cable does not get detached.
- Do not pry the above parts with a screwdriver.



2. INSTALL POWER WINDOW MOTOR

- (a) Install the motor by fitting the shaft of the motor into the window regulator drum.

HINT:

- If the shaft does not fit properly into the drum, slowly move the window glass bracket by hand to turn the drum.
- While turning the drum, make sure that it does not detach away from the cable guide.

- (b) Install the cover plate.

HINT: Attach the cover plate firmly onto the motor to eliminate any looseness.

FRONT DOOR ASSEMBLY

Assembly is in the reverse order of disassembly.

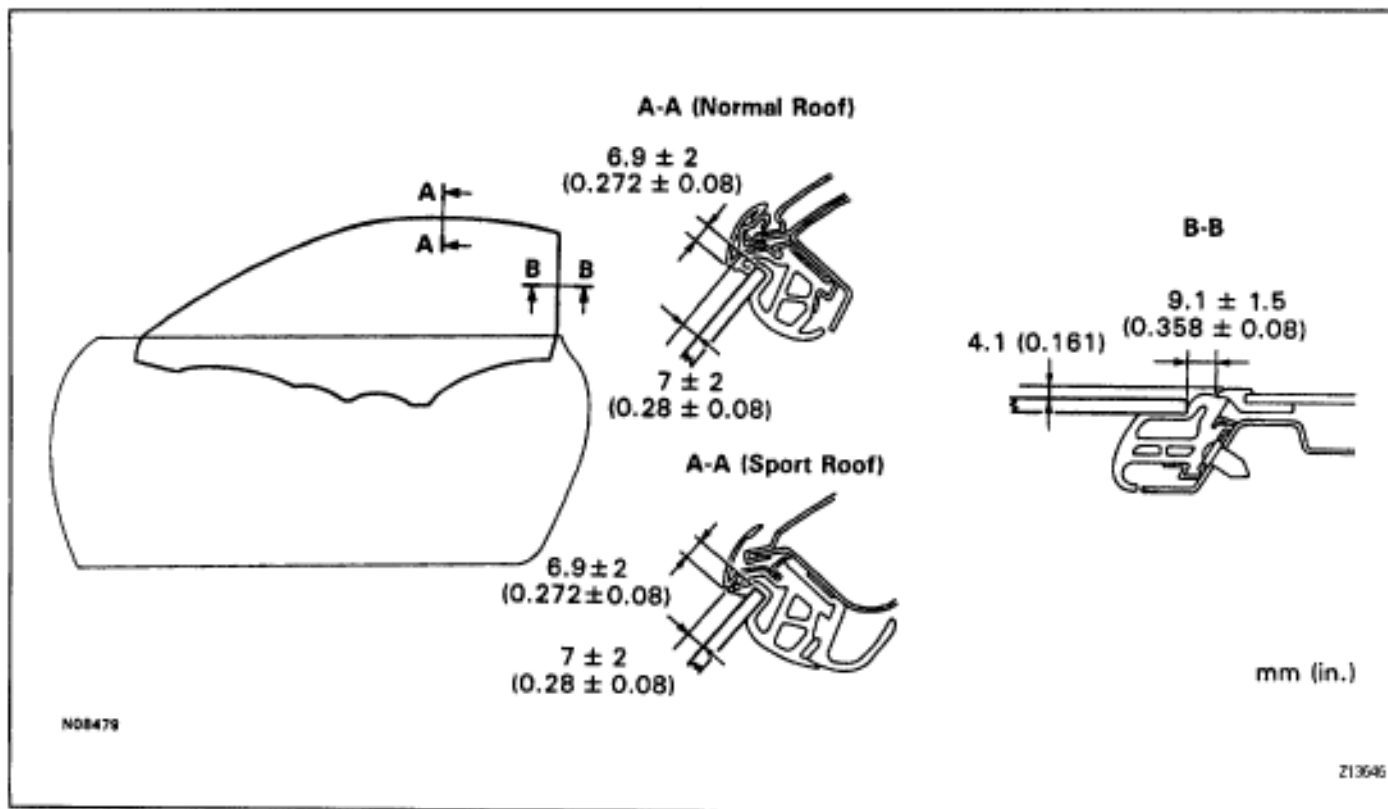
FRONT DOOR GLASS ADJUSTMENT

1. CHECK FRONT DOOR GLASS

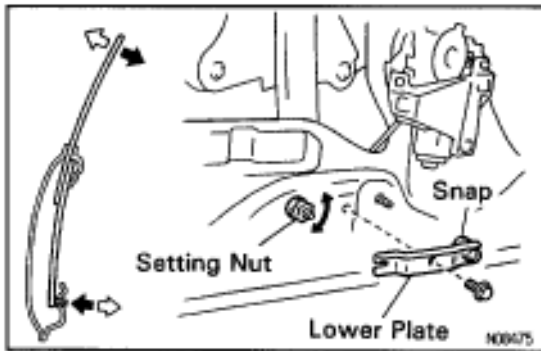
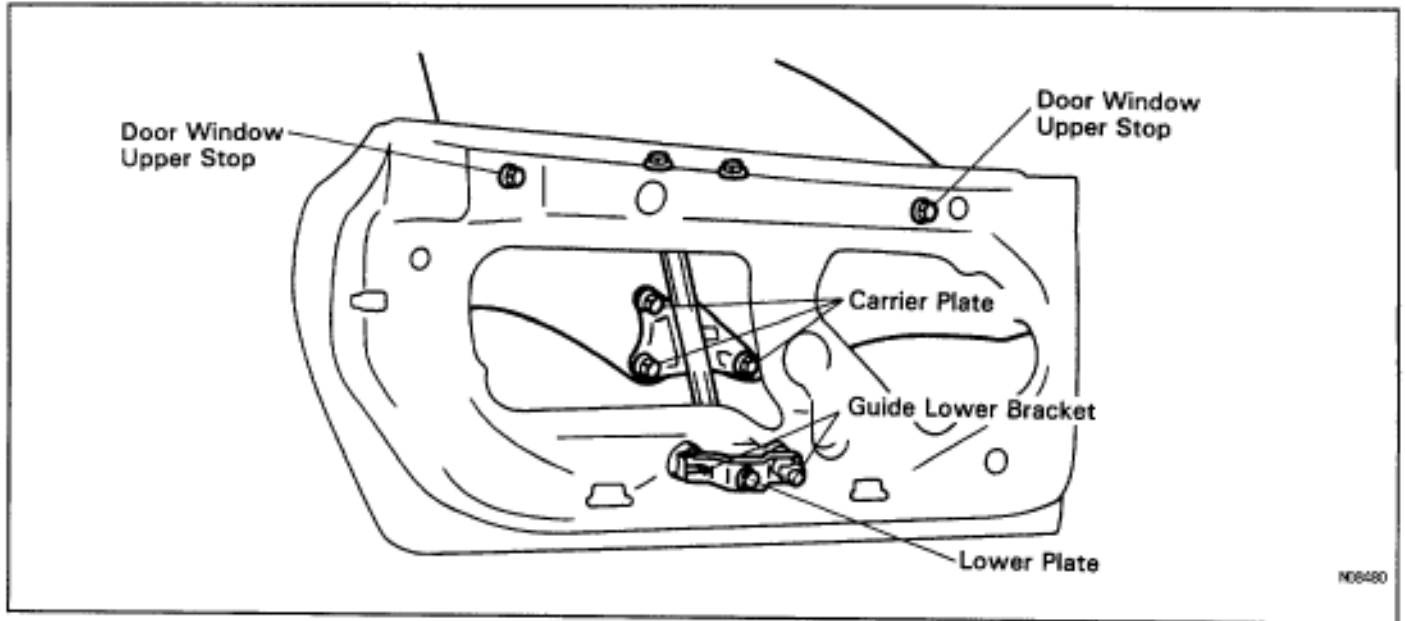
Check the following items. If the conditions are not met, readjust the glass.

- (a) When you close the door with the glass fully closed, the A-A, B-B sections are in the same condition as shown in the illustration.

- (b) When you push the glass firmly from inside, the glass stops at the roof drip moulding and does not move.
- (c) When you close the door with the glass fully closed, the glass is not caught in the outside lip of the weatherstrip and does not touch to the roof drip moulding.
- (d) With the door closed, the glass moves smoothly.
- (e) The upper edge of the glass cannot be seen from outside of the vehicle (edge touching roof side rail weatherstrip).
- (f) When the glass is being raised, the glass and roof side rail weatherstrip are parallel, and the front and rear door window upper stops touch at the same time.

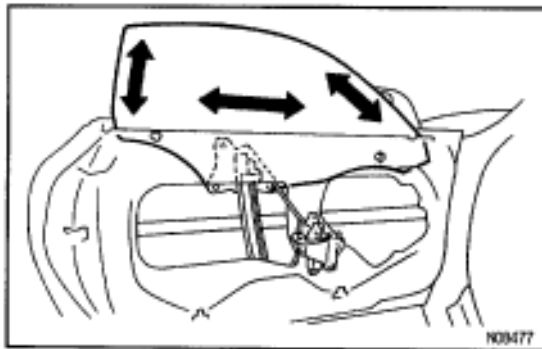


2. ADJUST FRONT DOOR GLASS



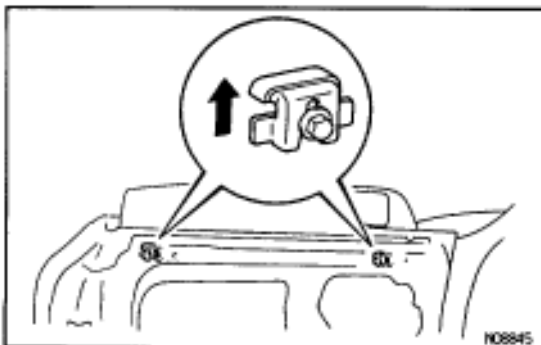
Upper side of glass-in/out

- Remove the lower plate bolt.
- Pull the lower plate so that the snap is unlocked.
- Remove the snap and lower plate.
- Adjust the glass by turning the setting nut.
- Reinstall the lower plate, snap and bolt.



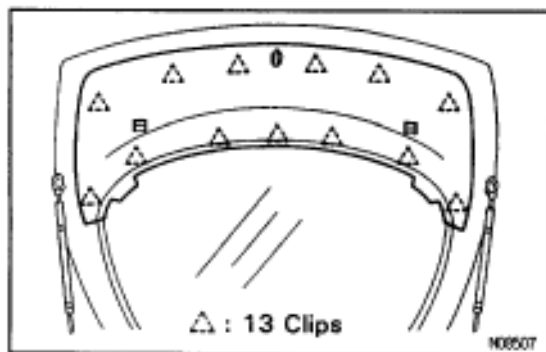
Position (forward/rearward) and attitude of glass

Loosen 3 bolts of the carrier plate and adjust.



Position (vertical) and attitude of glass (when glass fully closed)

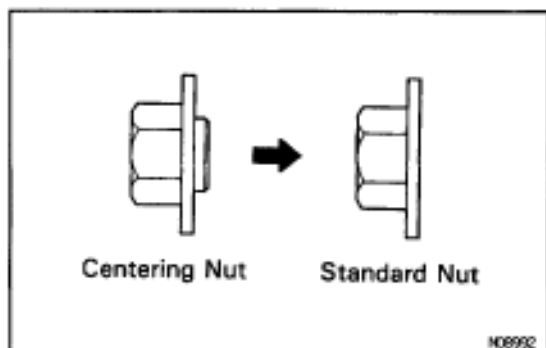
Adjust the door window upper stop.



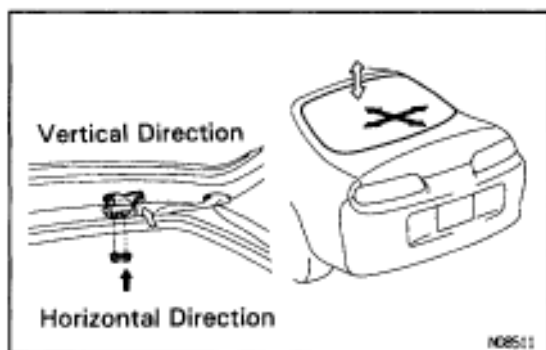
BACK DOOR BACK DOOR ADJUSTMENT

1. ADJUST DOOR IN HORIZONTAL DIRECTION

- Remove the back door trim board.
- Remove the roof headlining. (See pages [BO-58](#) to 61)



- Adjust the door by loosening the body side hinge nuts.
Torque: 21 N·m (210 kgf·cm, 15 ft·lbf)
HINT: Since the centering nut is used as the back door hinge nut, the back door cannot be adjusted with it on. Substitute the standard nut for the centering nut.
- Reinstall the removed parts in the reverse order to their removal.

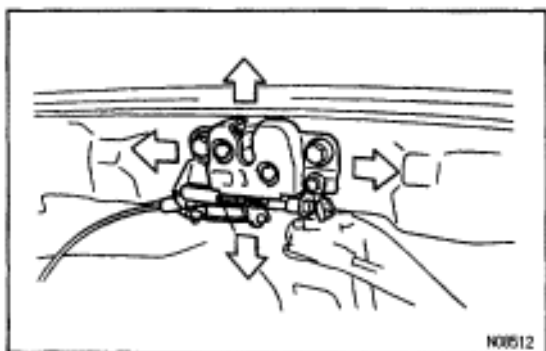


2. ADJUST DOOR IN VERTICAL DIRECTION

Adjust the door by loosening the back door side hinge bolts.

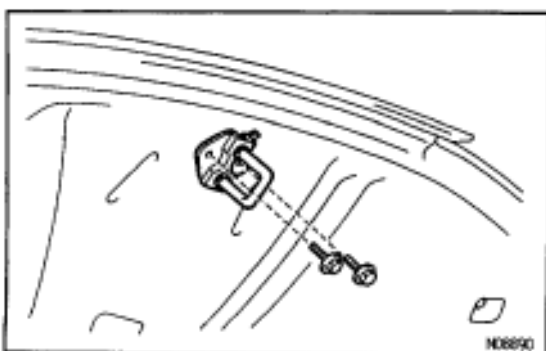
Torque: 13 N·m (130 kgf·cm, 9.4 ft·lbf)

HINT: Substitute the standard bolt for the centering bolt. (See page [BO-10](#))



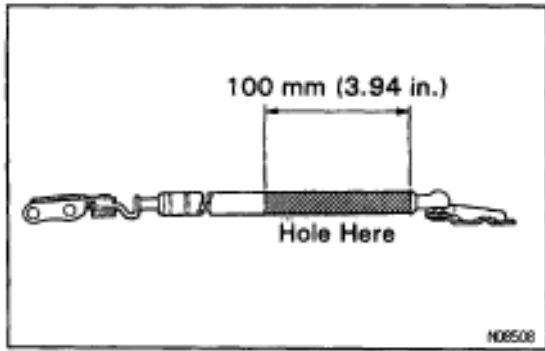
3. ADJUST DOOR LOCK

- Remove the clips and the deck trim rear cover.
- Loosen the lock mounting bolts to adjust.
Torque: 19 N·m (195 kgf·cm, 14 ft·lbf)
- Using a brass bar and hammer, tap the lock to adjust it.
CAUTION: Do not tap the lock too hard. (See page [BO-12](#))
- Install the deck trim rear cover.



BACK DOOR LOCK STRIKER REMOVAL AND INSTALLATION

- REMOVE BACK DOOR TRIM BOARD
- REMOVE AND INSTALL STRIKER
Torque: 13 N·m (130 kgf·cm, 9.4 ft·lbf)
- INSTALL BACK DOOR TRIM BOARD

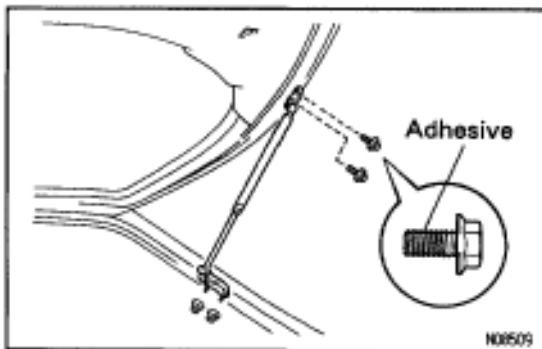


BACK DOOR DAMPER STAY REMOVAL

1. REMOVE ROOF SIDE INNER GARNISH
(See page [BO-60](#))
2. REMOVE DAMPER STAY LOWER END FROM BODY
3. REMOVE DAMPER STAY UPPER END FROM BACK DOOR

NOTICE: When handling the damper.

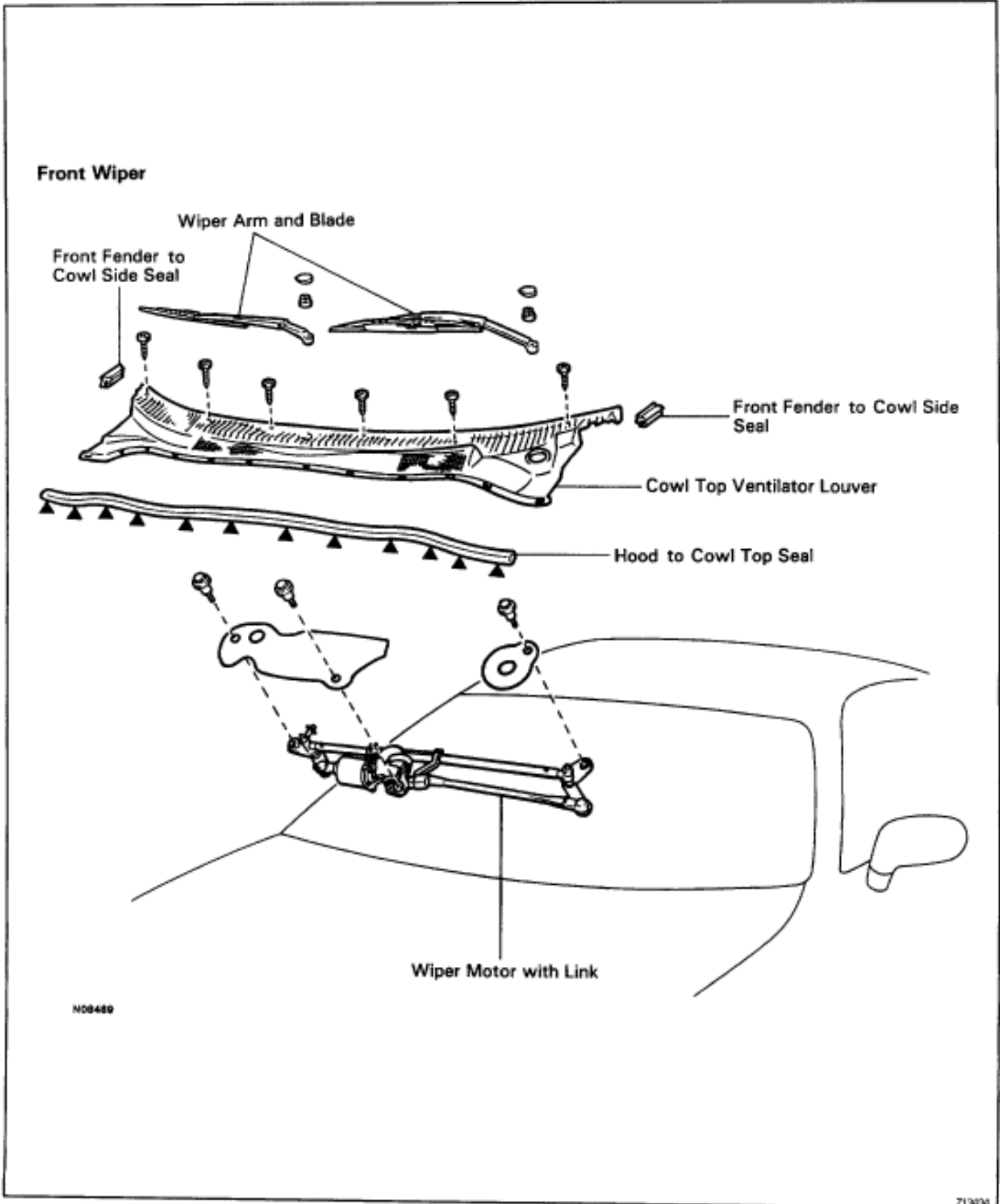
- Do not disassemble the damper because the cylinder is filled with pressurized gas.
- If the damper is to be replaced, drill a 2.0–3.0 mm (0.079–0.118 in.) hole in the bottom of the removed damper cylinder to completely release the high-pressure gas before disposing of it.
- When drilling, chips may fly out so work carefully.
- The gas is colorless, odorless and non-toxic.
- When working, handle the damper carefully. Never score or scratch the exposed part of the piston rod, and never allow paint or oil to get on it.
- Do not turn the piston rod and cylinder with the damper fully extended.



BACK DOOR DAMPER STAY INSTALLATION

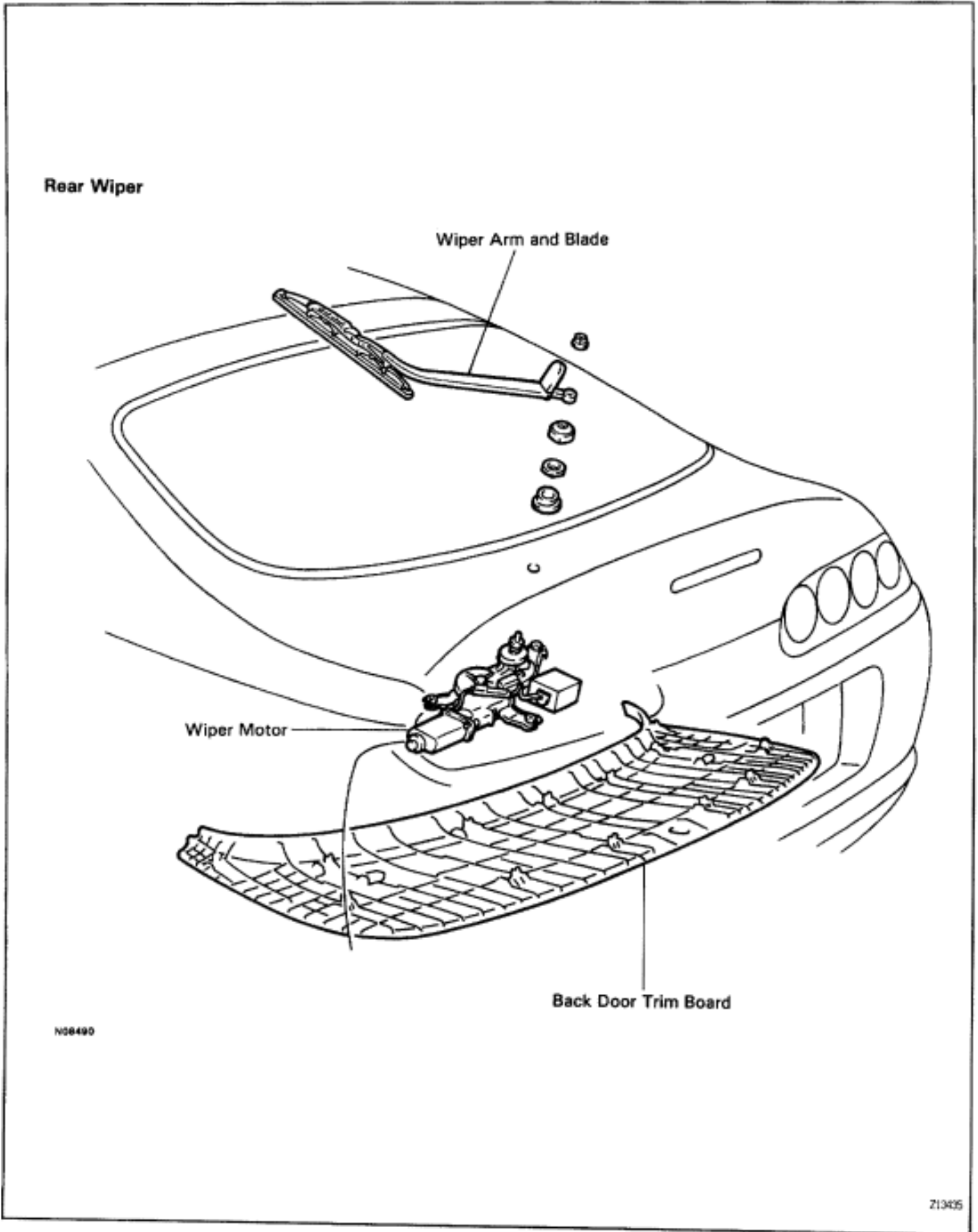
1. INSTALL DAMPER STAY UPPER END TO BACK DOOR
NOTICE: Apply adhesive to the bolts before tightening.
Nut to body
Torque: 5.9 N·m (60 kgf·cm, 52 in·lbf)
Bolt to back door
Torque: 7.8 N·m (80 kgf·cm, 69 in·lbf)
2. INSTALL DAMPER STAY LOWER END TO BODY
3. INSTALL ROOF SIDE INNER GARNISH
(See page [BO-60](#))

WIPER AND WASHER COMPONENTS



NOB489

COMPONENTS (Cont'd)



FRONT WIPER REMOVAL

1. REMOVE THESE PARTS:

- (a) Wiper arm and blade
- (b) Cowl top ventilator louver

2. REMOVE FRONT WIPER MOTOR

- (a) Disconnect the connector, then unfasten the 3 bolts.
- (b) Remove the wiper motor with the link.

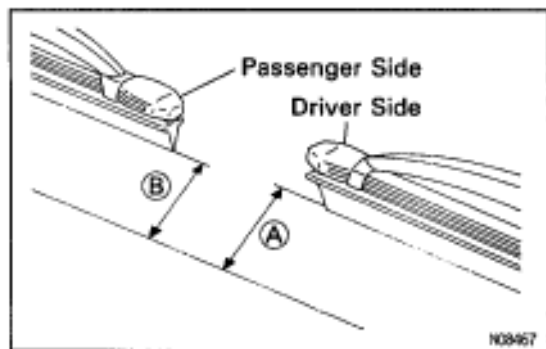
FRONT WIPER INSTALLATION

1. INSTALL THESE PARTS:

- (a) Wiper motor with link
- (b) Cowl top ventilator louver

2. INSTALL WIPER ARM AND BLADE

- (a) Install the wiper arms and operate the wipers once and turn the wiper switch OFF.



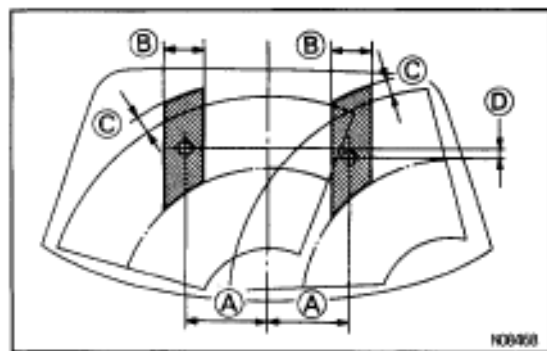
- (b) Adjust the installation positions of the wiper arms to the positions shown in the illustration.

(A) **Approx. 32.4 mm (1.28 in.)**

(B) **Approx. 33.7 mm (1.33 in.)**

- (c) Torque the nut.

Torque: 22 N·m (225 kgf·cm, 16 ft·lbf)



FRONT WASHER NOZZLE ADJUSTMENT

1. INSPECT FRONT WASHER NOZZLE

- (a) While operating the washer, check that both the point where the washer fluid from the upper nozzles hits the windshield, and the up surge area, are within the range indicated by the hatched line.

(A) **Approx. 275 mm (10.8 in.)**

(B) **Approx. 150 mm (5.9 in.)**

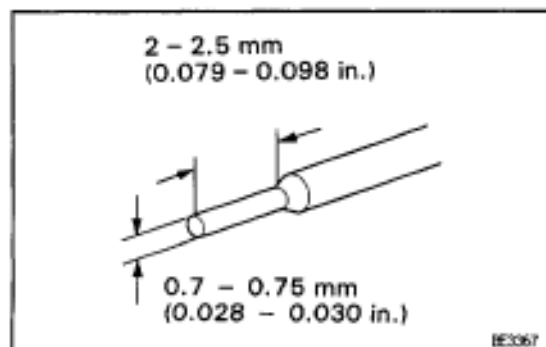
(C) **Approx. 50 mm (2.0 in.)**

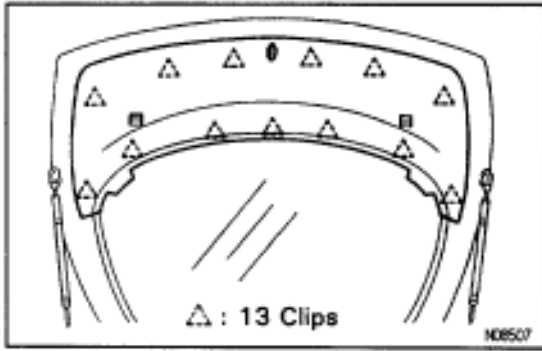
(D) **Within 100 mm (3.9 in.)**

- (b) Ensure that the lower point where the washer fluid hits the windshield is within the range of the wiping pattern (the area of the glass which is wiped by the wiper blades).

2. ADJUST FRONT WASHER NOZZLE

Using a tool like that shown in the illustration, change the direction of the nozzle hole to adjust the point where washer fluid strikes the windshield.



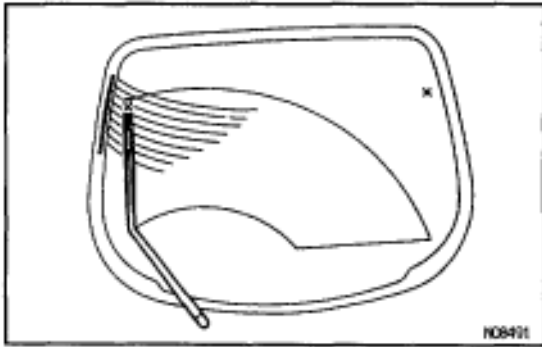


REAR WIPER REMOVAL

1. REMOVE WIPER ARM AND BLADE
2. REMOVE BACK DOOR TRIM BOARD
3. REMOVE WIPER MOTOR ASSEMBLY
 - (a) Disconnect the connector, then unfasten the 3 bolts.
 - (b) Remove the motor.

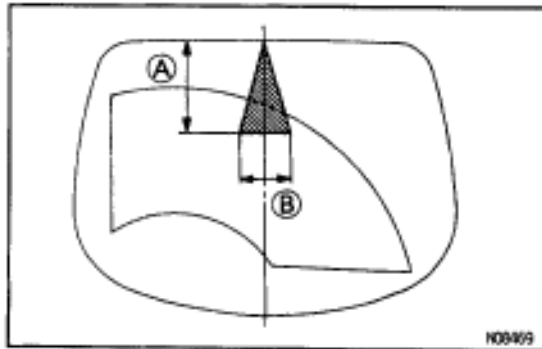
REAR WIPER INSTALLATION

1. INSTALL THESE PARTS:
 - (a) Wiper motor
 - (b) Back door trim board
2. INSTALL WIPER ARM AND BLADE
 - (a) Install the wiper arm and operate the wiper once and turn the wiper switch OFF.



- (b) Adjust the top of the wiper blade to the installation mark printed on the glass.
- (c) Torque the nut.

Torque: 11 N·m (110 kgf·cm, 8.0 ft·lbf)



REAR WASHER NOZZLE ADJUSTMENT

1. INSPECT REAR WASHER NOZZLE

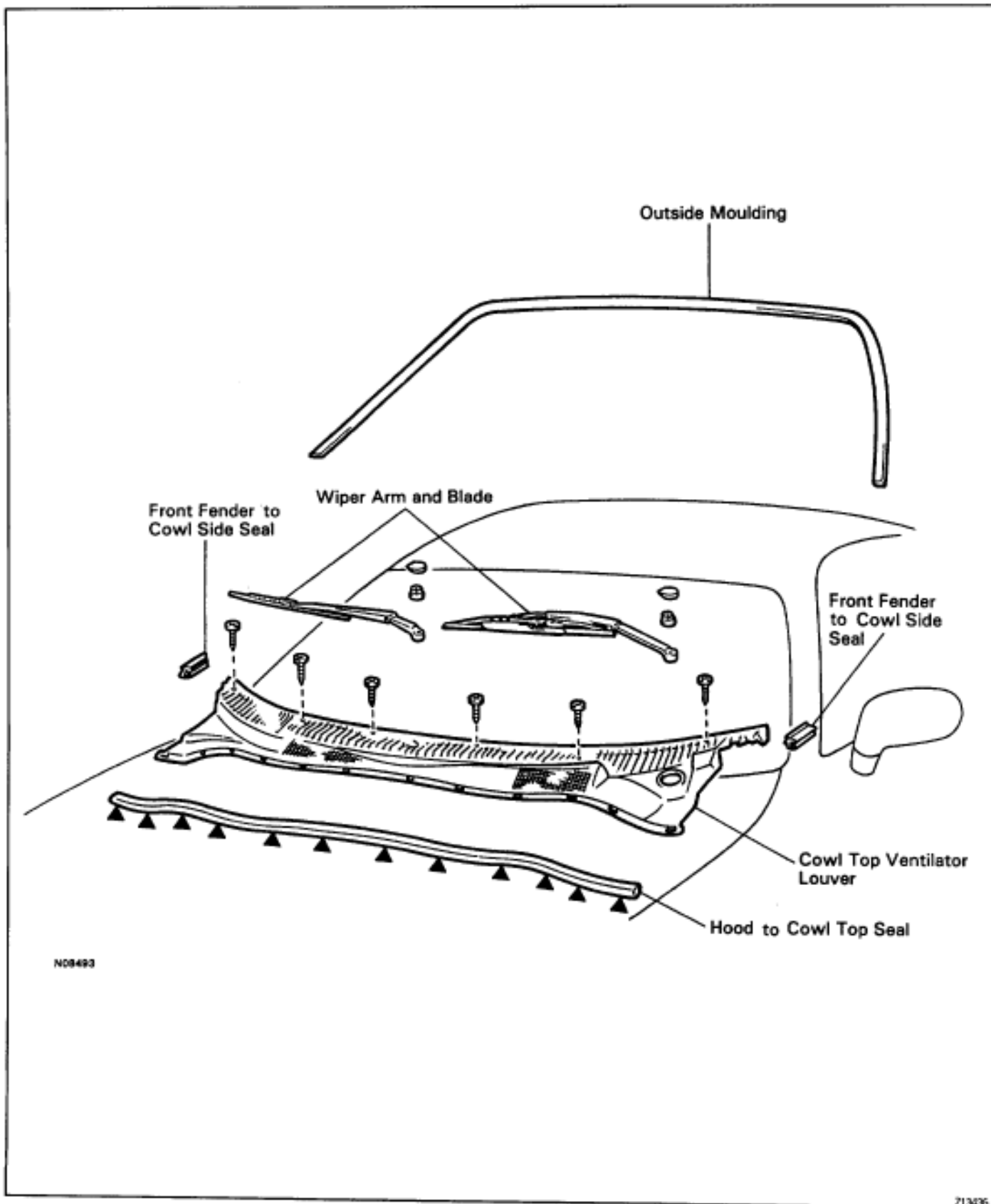
While operating the washer, check that the point where the washer fluid hits the back door glass is within the range indicated by the hatched line.

(A) **Approx. 300 mm (11.8 in.)**

(B) **Approx. 150 mm (5.9 in.)**
2. ADJUST REAR WASHER NOZZLE

(See step 2 on page [BO-21](#))

WINDSHIELD MOULDING COMPONENTS

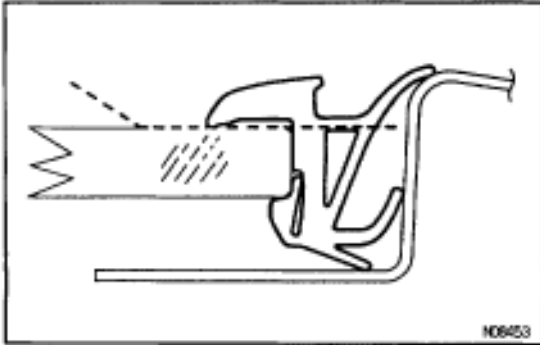


N08493

WINDSHIELD MOULDING REMOVAL

1. REMOVE THESE PARTS:

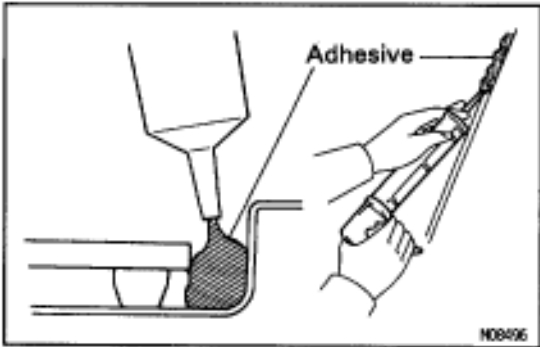
- (a) Wiper arm and blade
- (b) Cowl top ventilator louver



2. REMOVE WINDSHIELD MOULDING

- (a) Using a knife, cut off the moulding as shown.
- (b) Cut away the adhesive at the moulding installation area as much as possible.

NOTICE: Do not damage the body with the knife.

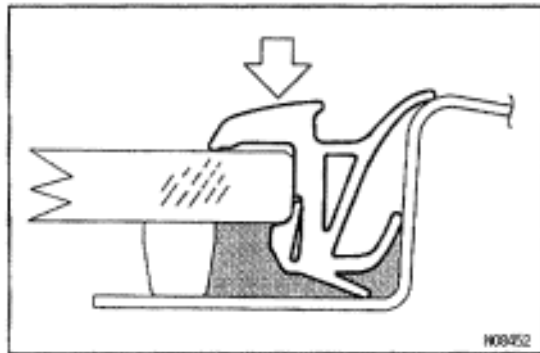


WINDSHIELD MOULDING INSTALLATION

1. CUT ADHESIVE AT MOULDING INSTALLATION AREA

Using the knife, cut off the adhesive around the moulding installation area.

2. APPLY ADHESIVE AT MOULDING INSTALLATION AREA



3. INSTALL WINDSHIELD MOULDING

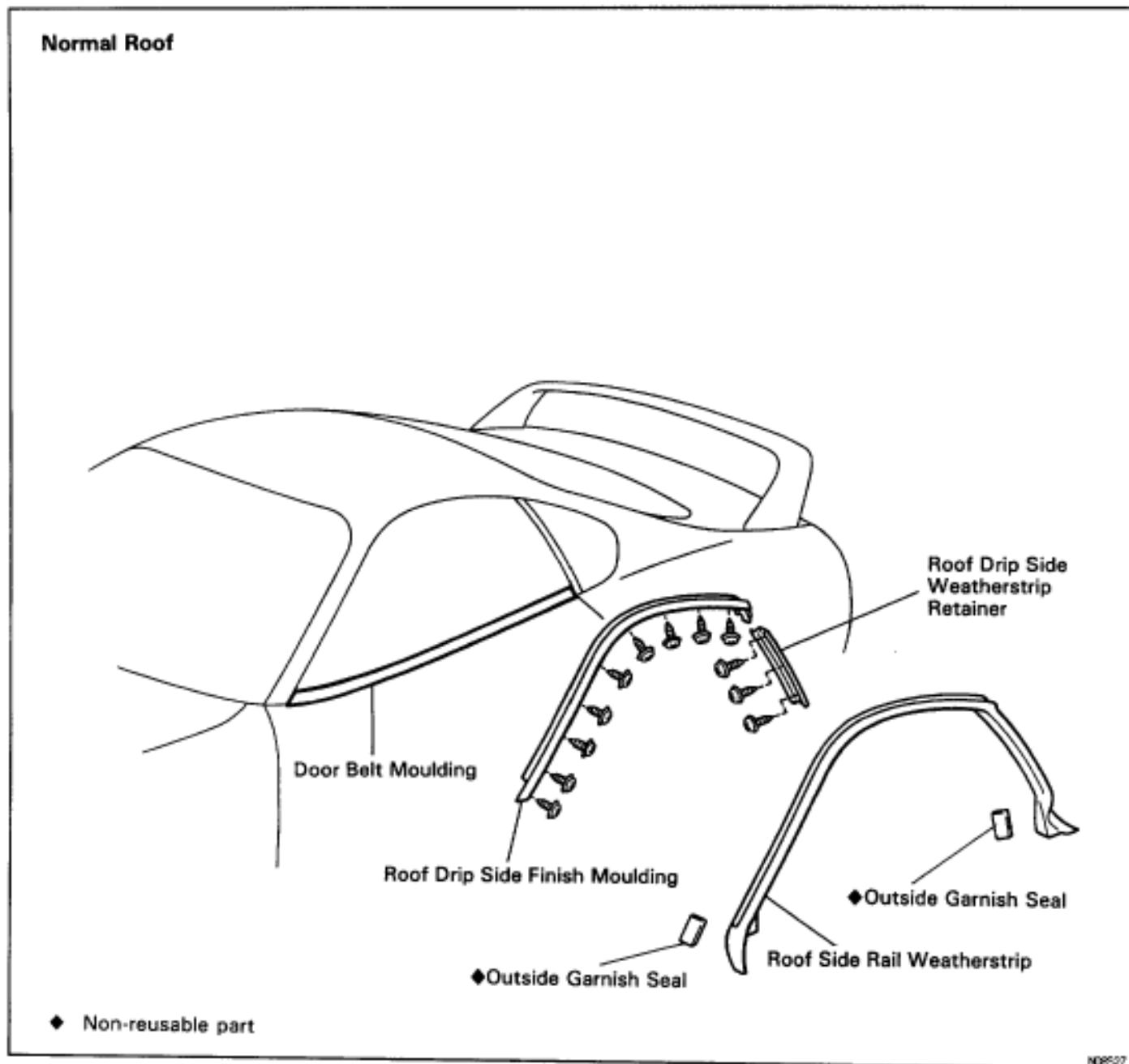
Place the moulding onto the body and tap it by hand.

4. INSTALL THESE PARTS:

- (a) Cowl top ventilator louver
- (b) Wiper arm and blade

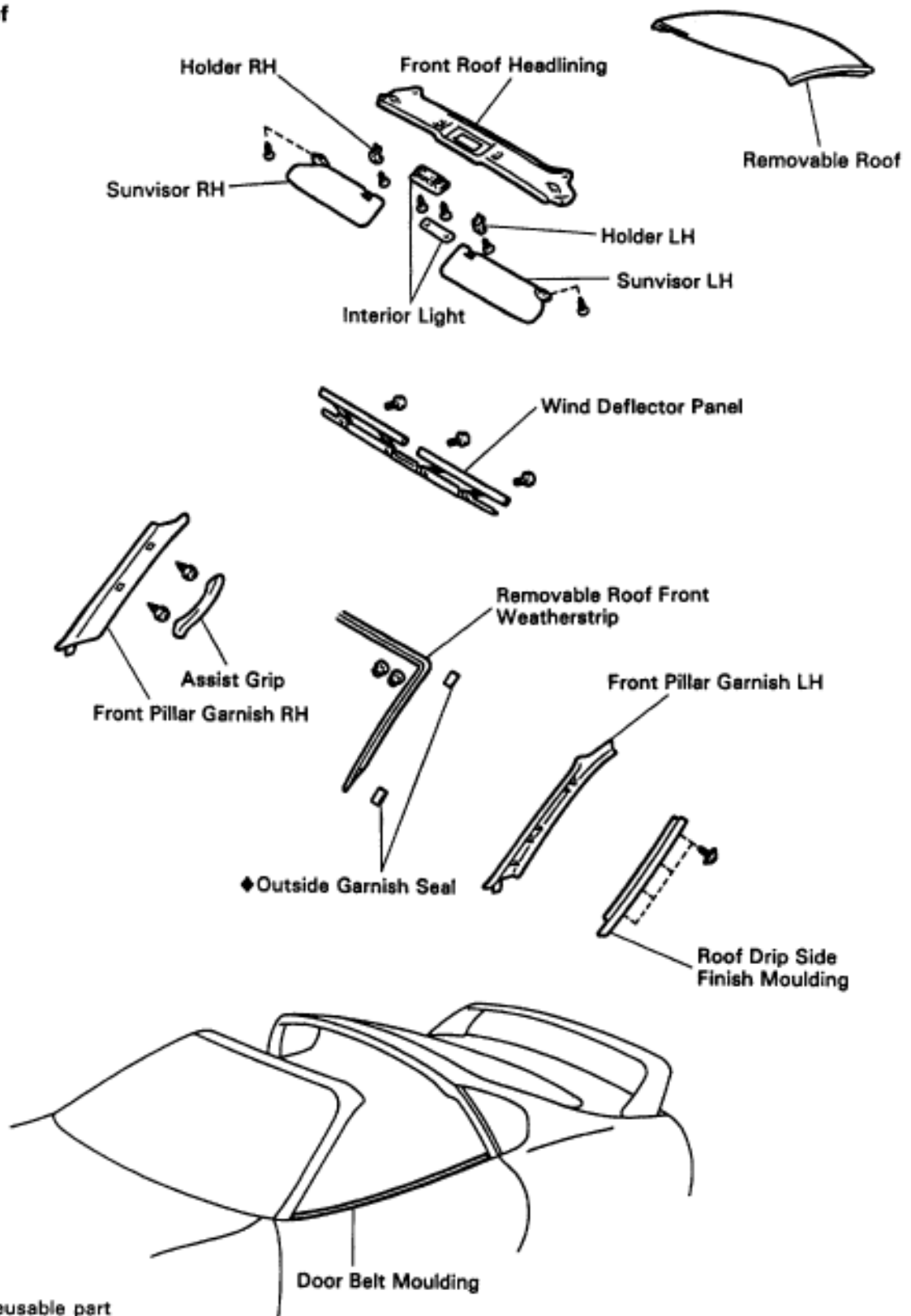
Torque: 22 N·m (225 kgf·cm, 16 ft·lbf)

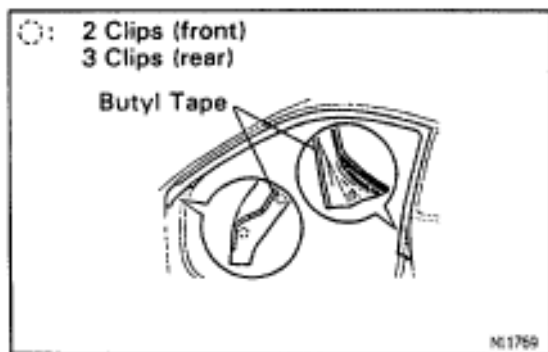
BODY OUTSIDE MOULDING COMPONENTS



COMPONENTS (Cont'd)

Sport Roof





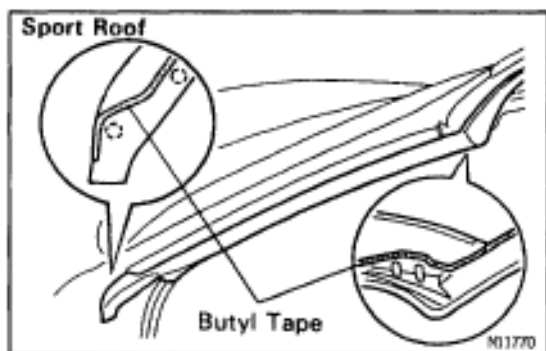
ROOF DRIP SIDE FINISH MOULDING REMOVAL

Normal roof

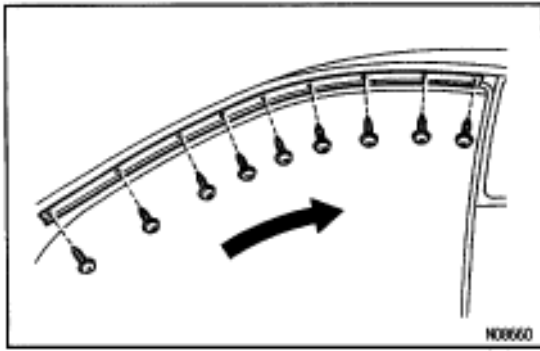
1. **REMOVE ROOF SIDE RAIL WEATHERSTRIP**
Using a clip remover, remove 2 clips for front and 3 clips for rear side of the weatherstrip and remove the weatherstrip.
2. **REMOVE ROOF SIDE RAIL WEATHERSTRIP RETAINER**
Remove 3 screws and the retainer.
3. **REMOVE ROOF DRIP SIDE FINISH MOULDING**
Remove 9 screws and the moulding.

Sport roof

1. **REMOVE THESE PARTS:**
 - (a) Removable roof
 - (b) Assist grip (See page [BO-60](#))
 - (c) Front pillar garnish (See page [BO-60](#))
 - (d) Interior light
 - (e) Sunvisor and holder
 - (f) Front roof headlining (See page [BO-61](#))
 - (g) Wind deflector panel



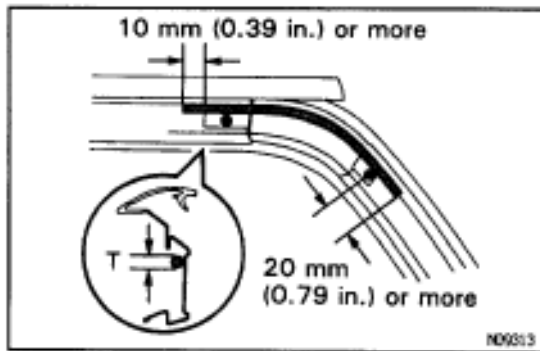
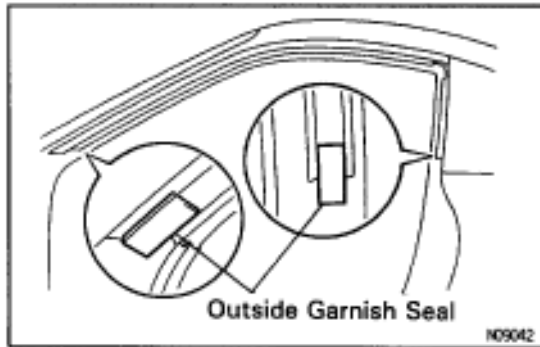
2. **REMOVE ROOF SIDE RAIL WEATHERSTRIP**
 - (a) Remove 2 bolts from the front weatherstrip.
 - (b) Using a clip remover, remove 2 clips and the weatherstrip.
3. **REMOVE ROOF DRIP SIDE FINISH MOULDING**
Remove 4 screws and the moulding.



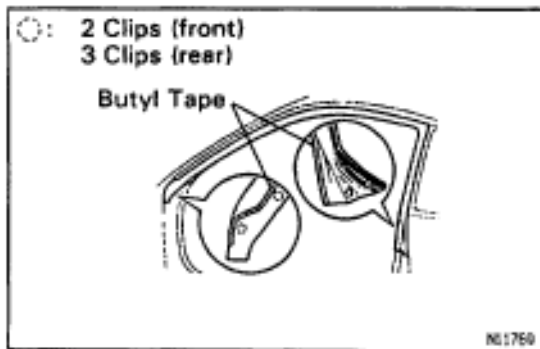
ROOF DRIP SIDE FINISH MOULDING INSTALLATION

Normal roof

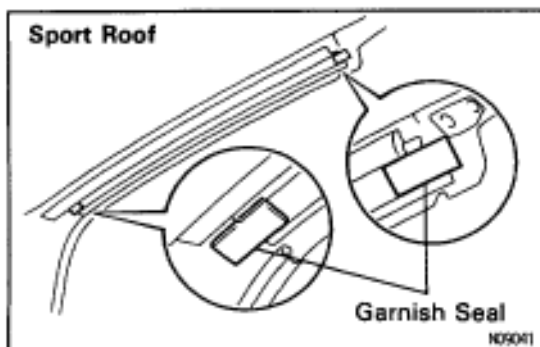
1. **INSTALL ROOF DRIP SIDE FINISH MOULDING**
Install the moulding with 9 screws.
HINT: Tighten the screws from front to rear.
2. **INSTALL ROOF SIDE RAIL WEATHERSTRIP RETAINER**
Install the retainer with 3 screws.
3. **INSTALL OUTSIDE GARNISH SEAL**
Install the garnish seal to the retainer as shown in the illustration.



4. **APPLY SEAL PACKING**
Apply seal packing to the moulding and retainer as shown in the illustration.
T: 3 mm (0.12 in.) or more
Part No. 08826-00080

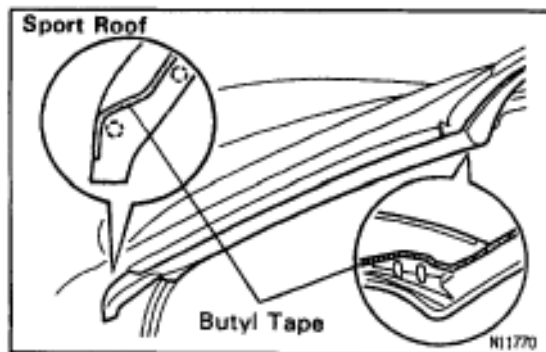


5. **INSTALL ROOF SIDE RAIL WEATHERSTRIP**
 - (a) Install the butyl tape to the weatherstrip as shown in the illustration.
 - (b) Install the weatherstrip.



Sport roof

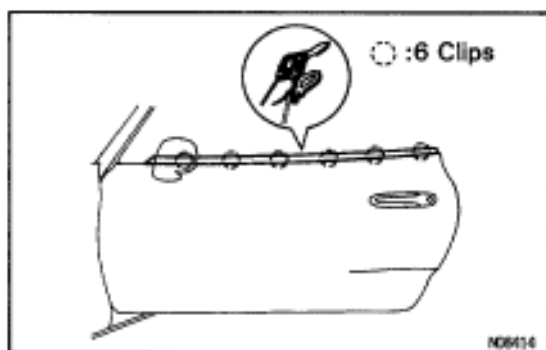
1. **INSTALL ROOF DRIP SIDE FINISH MOULDING**
Install the moulding with 4 screws.
HINT: Tighten the screws from front to rear.
2. **INSTALL OUTSIDE GARNISH SEAL**
Install the garnish seal to the moulding as shown in the illustration.



3. INSTALL ROOF SIDE RAIL WEATHERSTRIP

- (a) Install the butyl tape to the weatherstrip as shown in the illustration.
- (b) Install the weatherstrip.

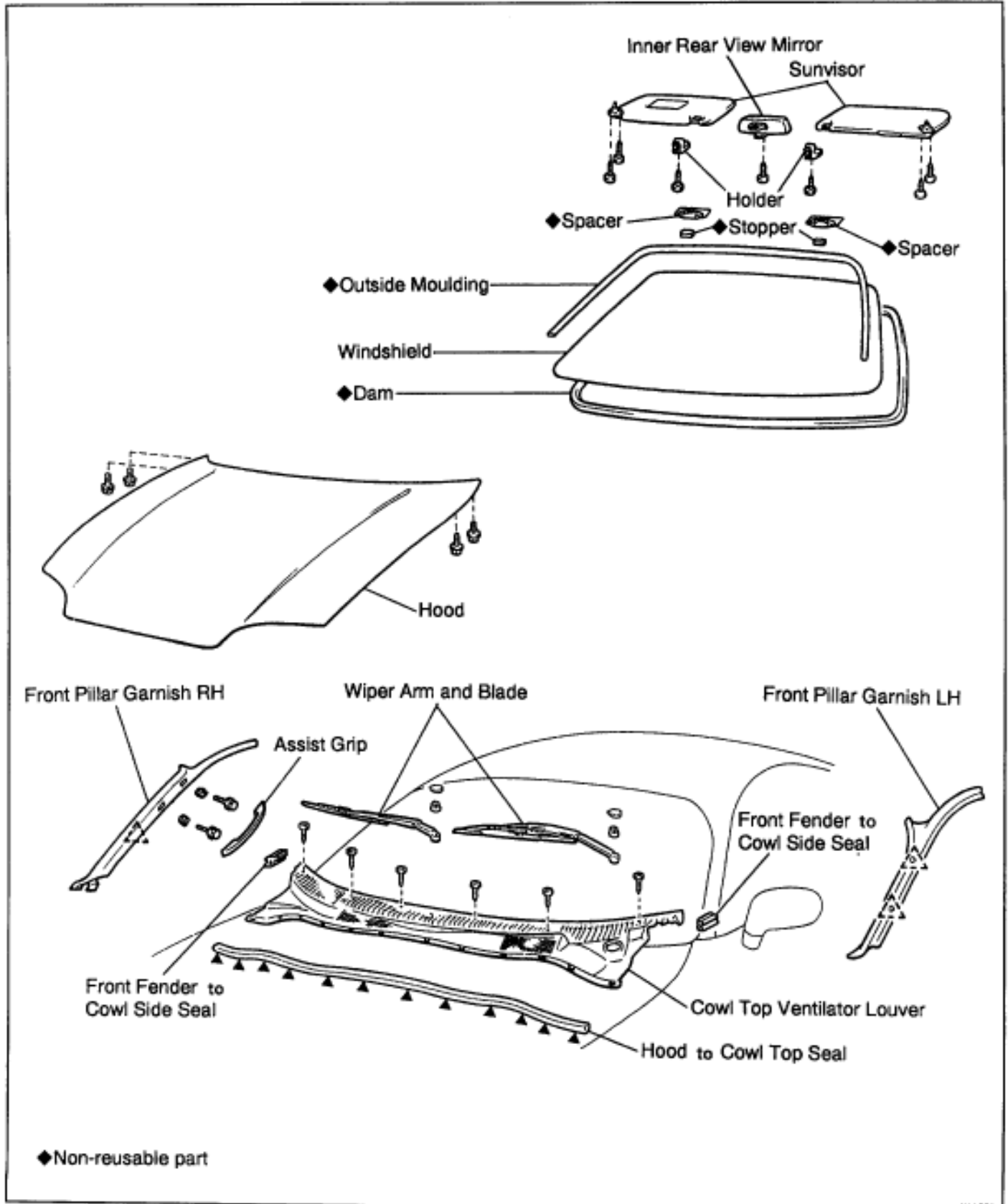
4. INSTALL REMOVED PARTS IN REVERSE ORDER TO THEIR REMOVAL

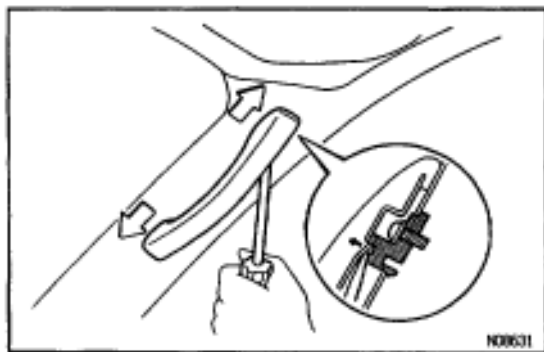


FRONT DOOR BELT MOULDING REMOVAL AND INSTALLATION

1. REMOVE FRONT DOOR COMPONENT PARTS
(See page [BO-11](#))
2. REMOVE FRONT DOOR BELT MOULDING
3. INSTALL FRONT DOOR BELT MOULDING
4. INSTALL FRONT DOOR COMPONENT PARTS

WINDSHIELD COMPONENTS

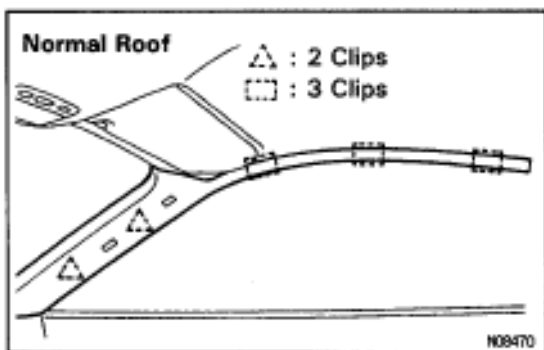




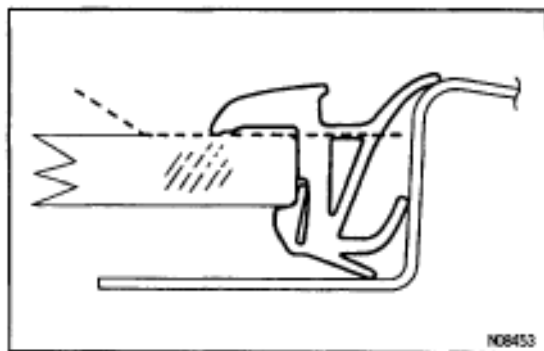
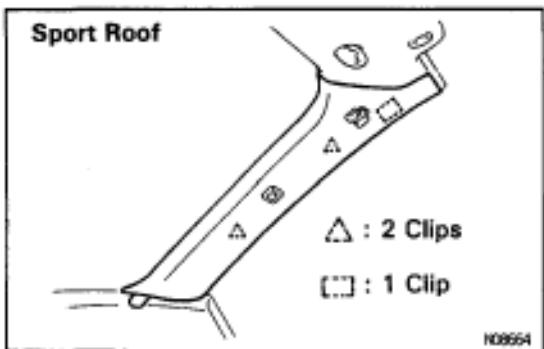
WINDSHIELD REMOVAL

1. REMOVE THESE PARTS:

- (a) Inner rear view mirror
- (b) Sunvisors and holders
- (c) Assist grip



- (d) Front pillar garnishes
- (e) Hood
- (f) Wiper arms and blades
- (g) Cowl top ventilator louver



2. REMOVE WINDSHIELD MOULDING

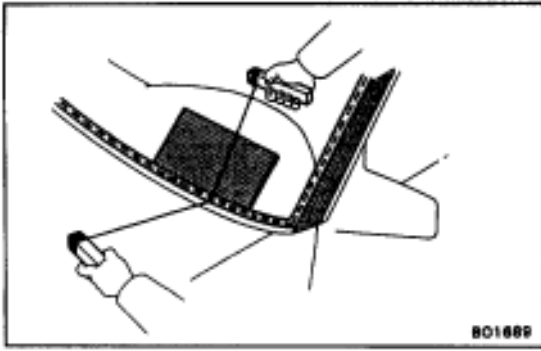
Using a knife, cut off the moulding as shown.

NOTICE: Do not damage the body with the knife.



3. REMOVE WINDSHIELD GLASS

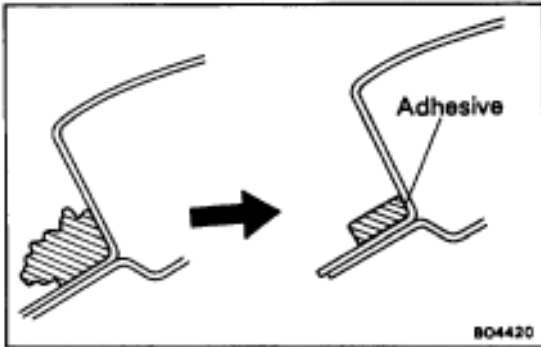
- (a) Push piano wire through from the interior.
 - (b) Tie both wire ends to a wooden block or similar object.
- HINT: Apply adhesive tape to the outer surface of the glass to keep the surface from being scratched.



NOTICE: When separating the glass, take care not to damage the paint and interior and exterior ornaments. To prevent scratching the instrument panel when removing the windshield, place a plastic sheet between the piano wire and instrument panel.

- (c) Cut the adhesive by pulling the piano wire around it.
- (d) Remove the glass.

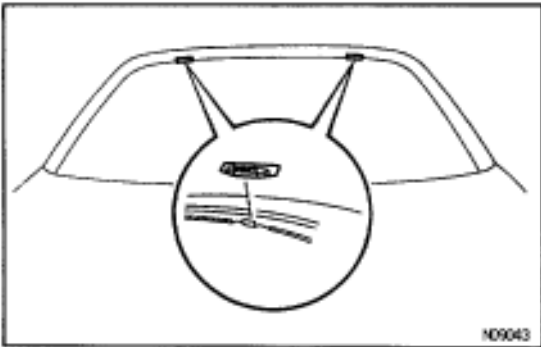
NOTICE: Leave as much of the adhesive on the body as possible when cutting off the glass.



WINDSHIELD INSTALLATION

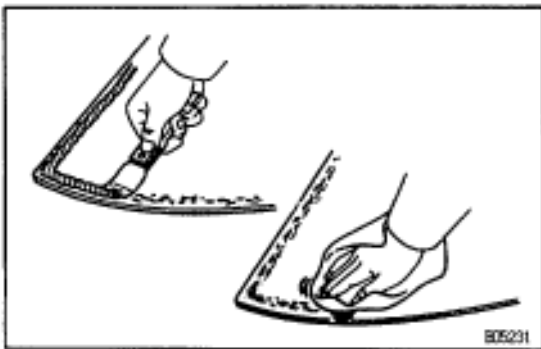
1. CLEAN AND SHAPE CONTACT SURFACE OF BODY

- (a) Using a knife, cut away any rough areas on the body.
HINT: Leave as much of the adhesive on the body as possible.
- (b) Clean the cutting surface of the adhesive with a piece of shop rag saturated in cleaner.
HINT: Even if all the adhesive has been removed, clean the body.



2. INSTALL SPACERS

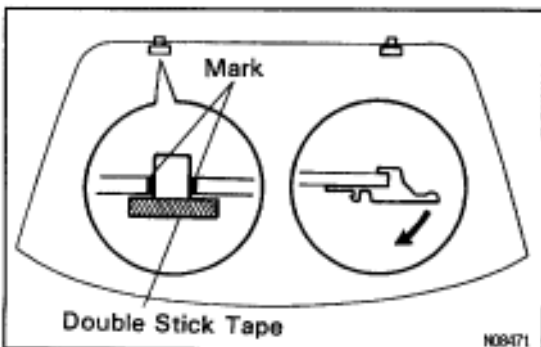
Install the spacers to the body as shown in the illustration.



3. CLEAN REMOVED GLASS

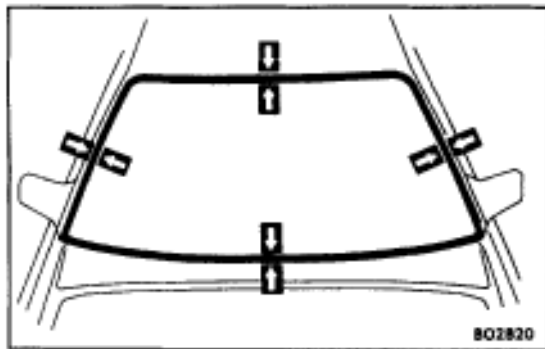
- (a) Using a scraper, remove the adhesive sticking to the glass.
- (b) Clean the glass with cleaner.

NOTICE: Do not touch the glass after cleaning it.



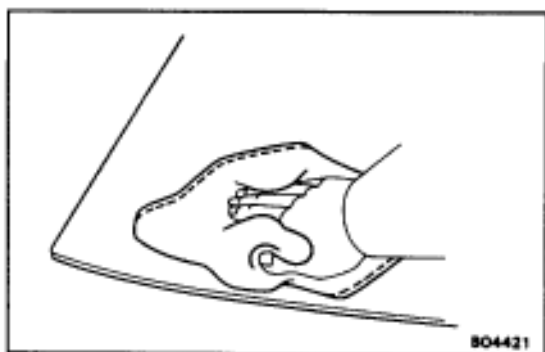
4. INSTALL STOPPERS

- (a) Remove adhesive cover from stopper.
- (b) Position the stopper on the edge of the glass as shown on the illustration.
- (c) Break in the protruding part of the stopper.



5. POSITION GLASS

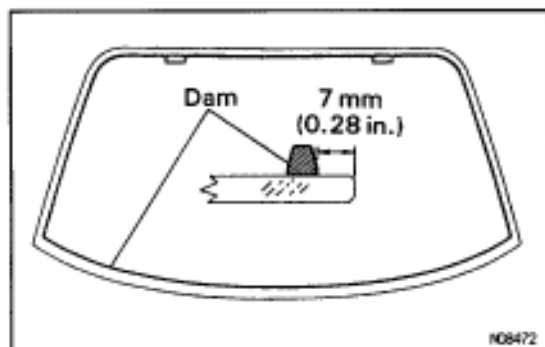
- Place glass in correct position.
- Check that all contacting parts of the glass rim are perfectly even and do not make contact with the fasteners.
- Place reference marks between the glass and body.
- Remove the glass.



6. CLEAN CONTACT SURFACE OF GLASS

Using a cleaner, clean the contact surface black colored area around the entire glass rim.

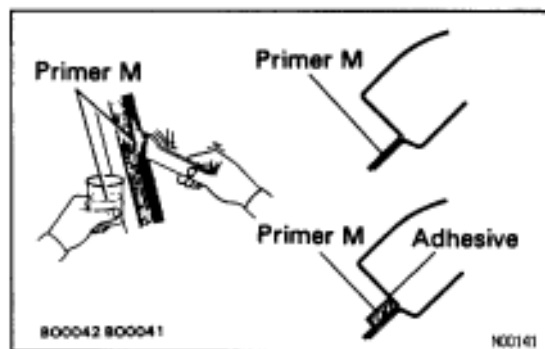
NOTICE: Do not touch the glass face after cleaning it.



7. INSTALL DAM

Install the dam with double-stick tape all the way around the glass except where the stoppers are installed as shown in the illustration.

NOTICE: Do not touch the glass face after cleaning it.

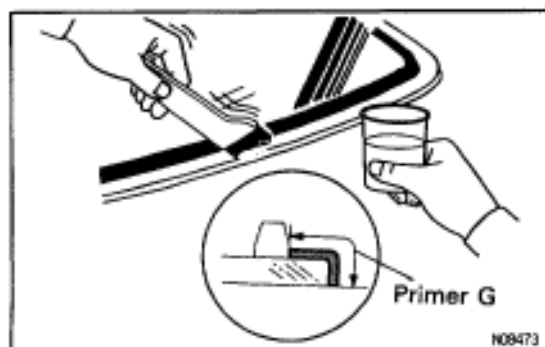


8. COAT CONTACT SURFACE OF BODY WITH PRIMER "M"

Using a brush, coat the contact surface on the body with Primer "M".

NOTICE:

- Let the primer coating dry for 3 minutes or more.
- Do not keep any of the opened primer "M" and "G" for later use.

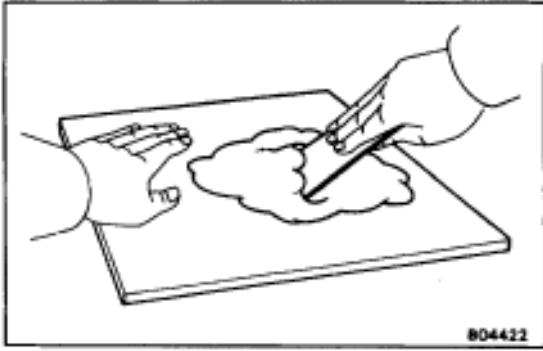


9. COAT CONTACT SURFACE OF GLASS WITH PRIMER "G"

- Using a brush or sponge, coat the edge of the glass and the contact surface with Primer "G".

- Before the Primer dries, wipe it off with a clean shop rag.

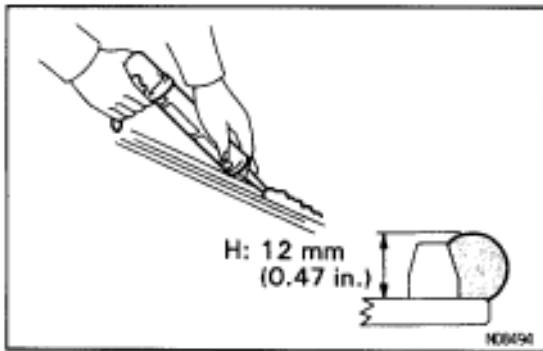
NOTICE: Let the primer coating dry for 3 minutes or more.



10. MIX ADHESIVE COATING

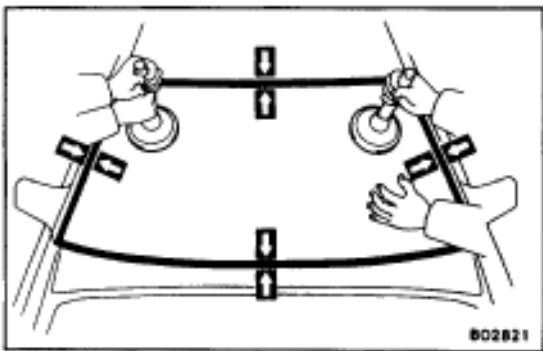
NOTICE:

- Be sure that installation of the moulding is finished within the adhesive's usable time. (See step 2 on page [BO-7](#))
 - The mixture should be made in 5 minutes or less.
- (a) Thoroughly clean the glass plate and putty spatula with solvent.
 - (b) Thoroughly mix 500 g (17.64 oz.) of the main agent and 75 g (2.65 oz.) of the hardening agent on a glass plate or similar object with a putty spatula.



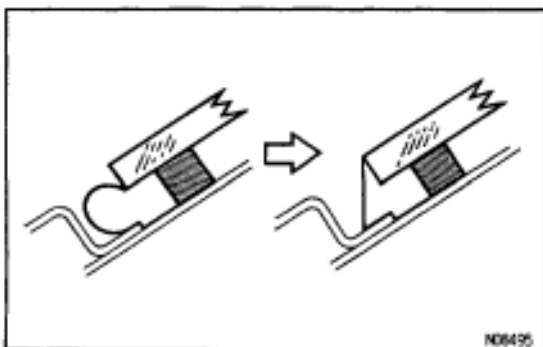
11. APPLY ADHESIVE

- (a) Cut off the tip of the cartridge nozzle. Fill the cartridge with adhesive.
 - (b) Load the cartridge into the sealer gun.
 - (c) Coat the glass with adhesive as shown.
- H: 12 mm (0.47 in.)**

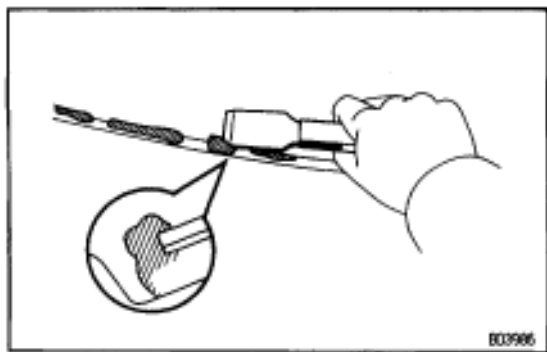


12. INSTALL GLASS

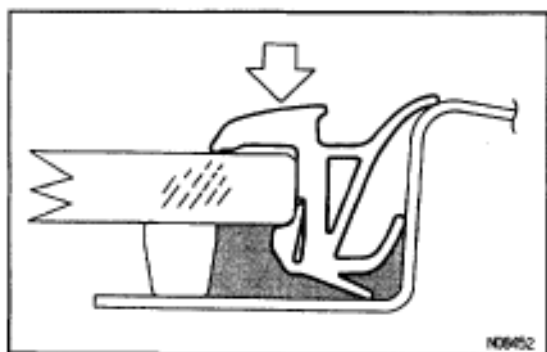
- (a) Position the glass so that the reference marks are lined up, and press in gently along the rim.



- (b) Using a spatula, apply adhesive on the glass rim.
HINT: Confirm that the dam is attached to the body panel as shown in the illustration.



- (c) Use a scraper to remove any excess or protruding adhesive.
- (d) Fasten glass securely until the adhesive sets.



13. INSTALL WINDSHIELD MOULDING

Place the moulding onto the body and install it by hand.

14. INSPECT FOR LEAKS AND REPAIR

- (a) Do a leak test after the hardening time has elapsed.
- (b) Seal any leak with auto glass sealer.

Part No. 08833-00030

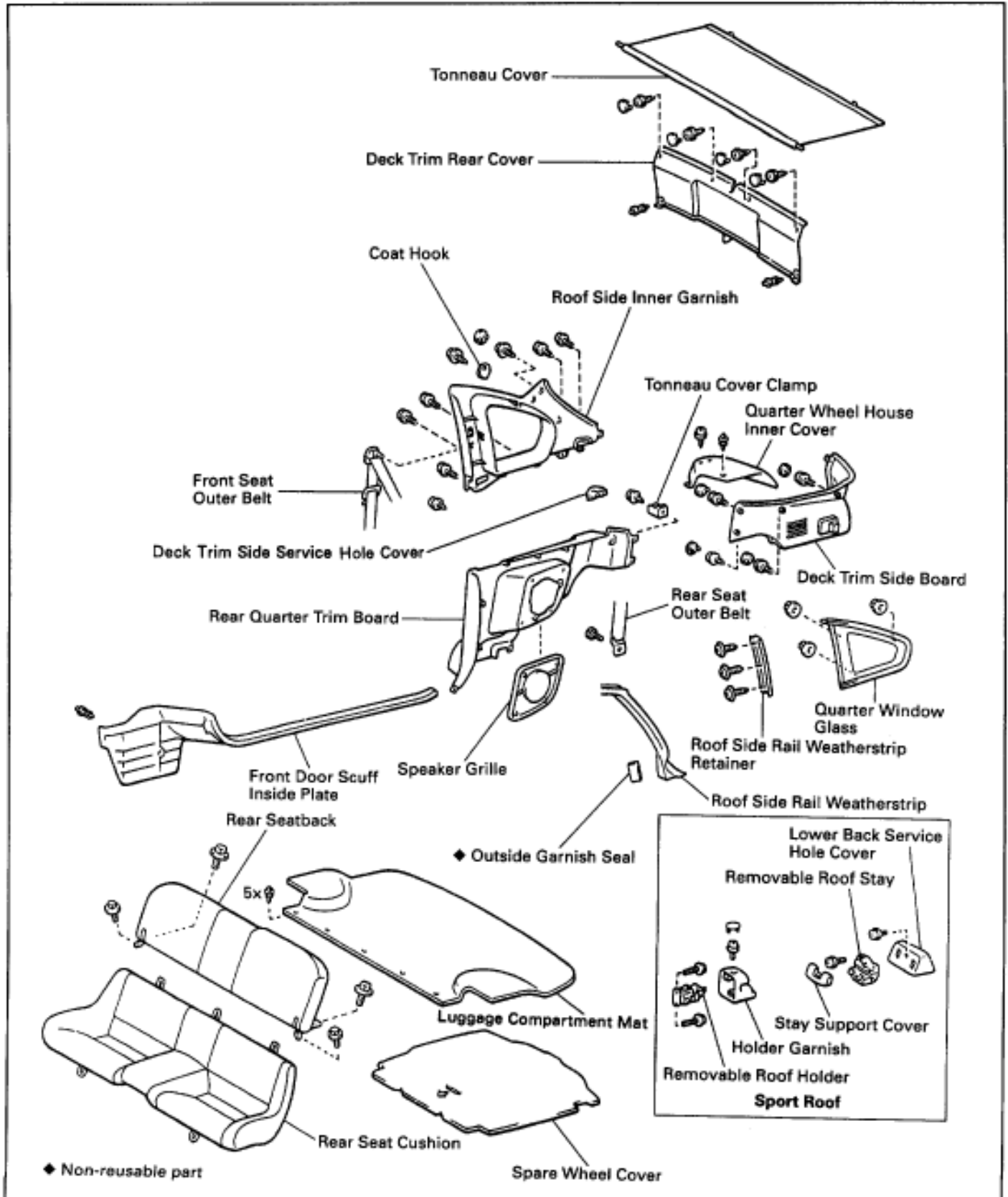
15. INSTALL THESE PARTS:

- (a) Cowl top ventilator louver
- (b) Wiper arms and blades
- (c) Hood
- (d) Front pillar garnishes
- (e) Assist grip
- (f) Sunvisors and holders
- (g) Inner rear view mirror

Torque: 22 N·m (225 kgf·cm, 16 ft·lbf)

Torque: 13 N·m (130 kgf·cm, 9.4 ft·lbf)

QUARTER WINDOW GLASS COMPONENTS

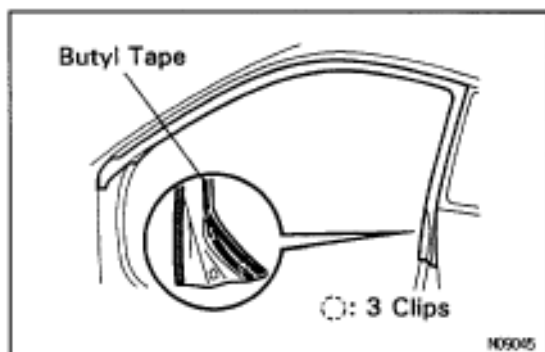


QUARTER WINDOW GLASS REMOVAL

1. REMOVE THESE PARTS:

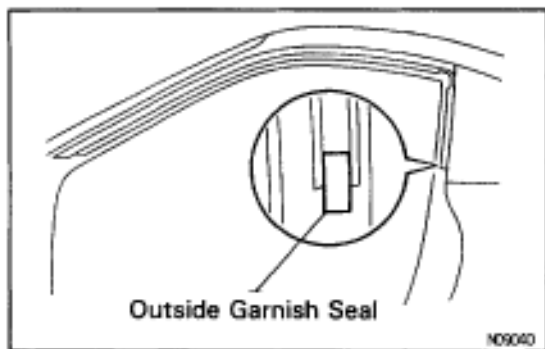
(See pages BO-59 to BO-61)

- (a) Tonneau cover
- (b) Luggage compartment mat
- (c) Spare wheel cover
- (d) Rear seatback
- (e) Removable roof stay RH and LH (Sport roof)
- (f) Deck trim rear cover
- (g) Removable roof holder (Sport roof)
- (h) Quarter wheel house inner cover
- (i) Speaker grille
- (j) Deck trim side board
- (k) Front door scuff inside plate
- (l) Rear quarter trim board
- (m) Front seat outer belt shoulder anchor
- (n) Rear seat outer belt floor anchor
- (o) Roof side inner garnish
- (p) Rear roof headlining (Sport roof)



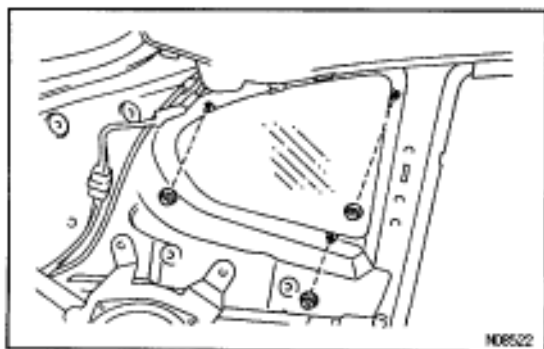
2. REMOVE ROOF SIDE RAIL WEATHERSTRIP

- (a) Using the clip remover, remove 3 clips from the rear side of the weatherstrip.
- (b) Remove the rear side of the weatherstrip from the retainer.



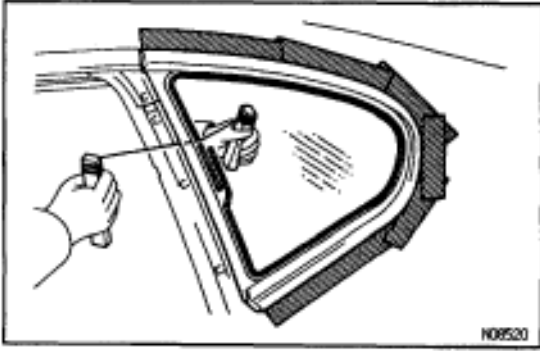
3. REMOVE ROOF SIDE RAIL WEATHERSTRIP RETAINER

Remove the outside garnish seal and retainer.



4. REMOVE QUARTER WINDOW GLASS

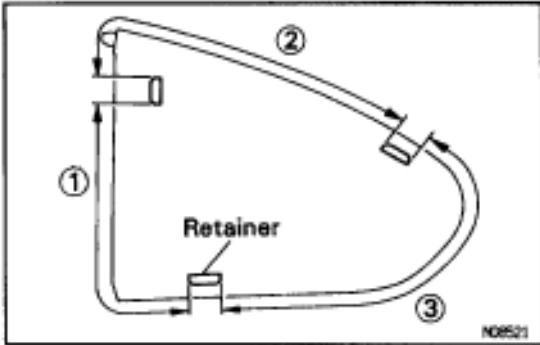
- (a) Remove the 3 nuts.



- (b) Push piano wire through from the interior.
- (c) Tie both wire ends to a wooden block or similar object.
HINT: Apply adhesive tape to the outer surface to keep the surface from being scratched.

NOTICE: When separating the glass, take care not to damage the paint and exterior.

- (d) Cut the adhesive by pulling the piano wire around it.
HINT: Cut the adhesive areas in the order as shown in the illustration, so leave the adhesive where the glass retainer stays.

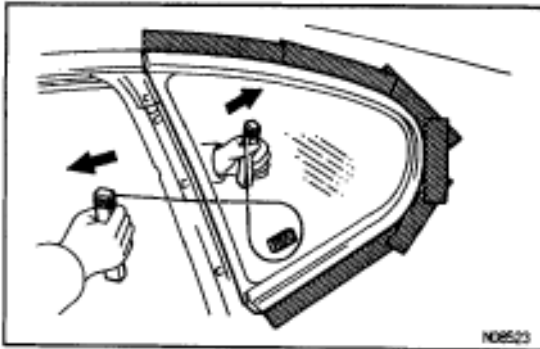


- (e) Let the piano wire pass as shown on the illustration and cut the rest of adhesive by pulling the piano wire.

NOTICE: Do not damage the glass retainers.

- (f) Remove the glass.

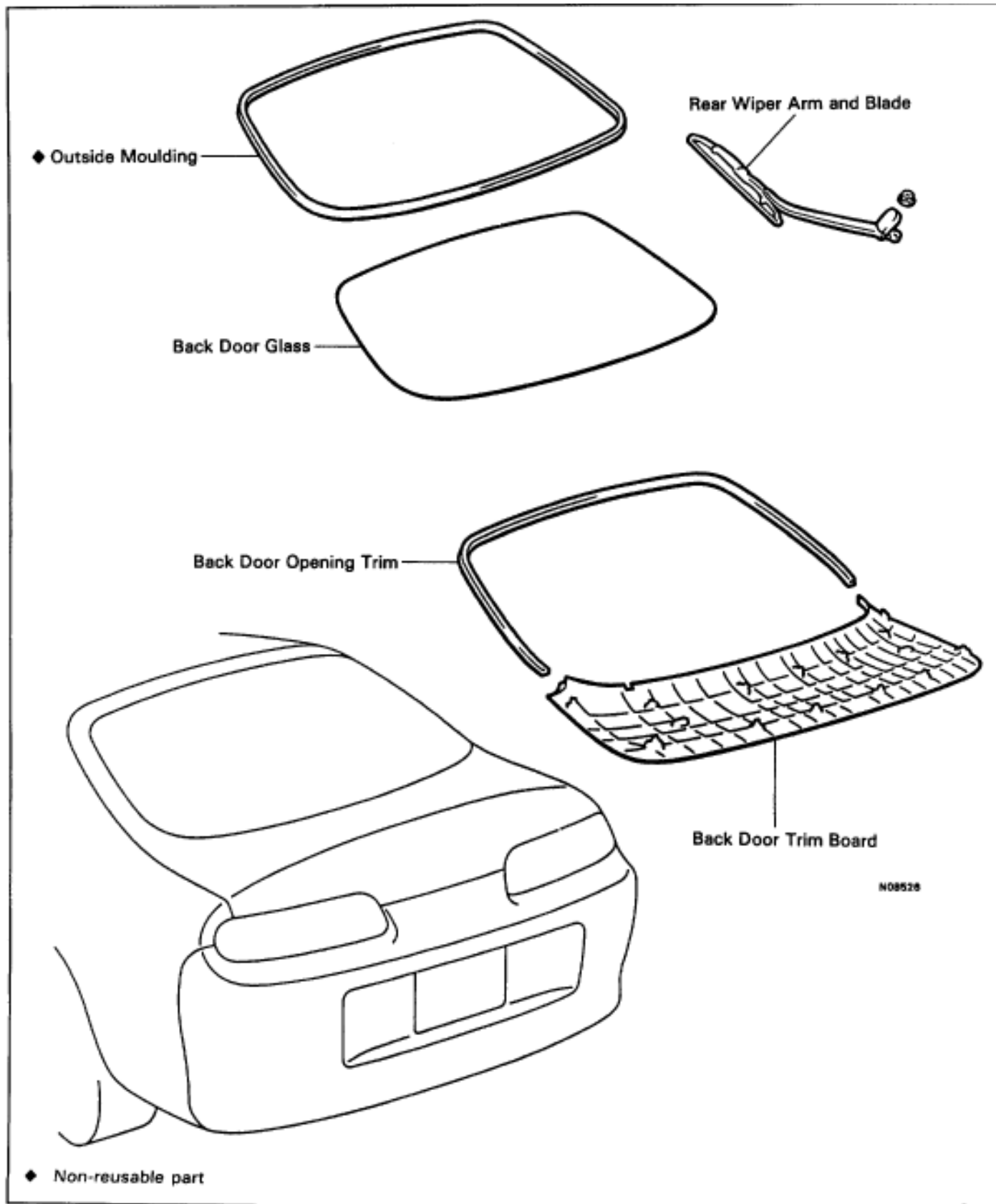
NOTICE: Leave as much of the adhesive on the body as possible when cutting off the glass.

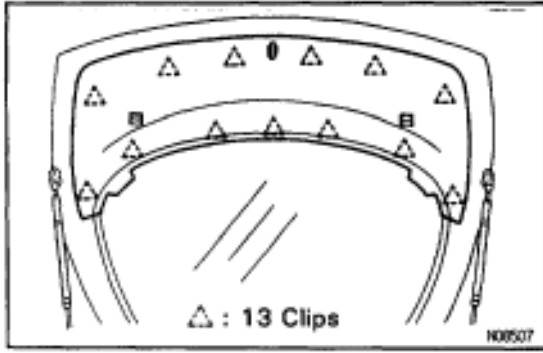


QUARTER WINDOW GLASS INSTALLATION

Installation is in the reverse order of removal.

BACK DOOR MOULDING AND GLASS COMPONENTS



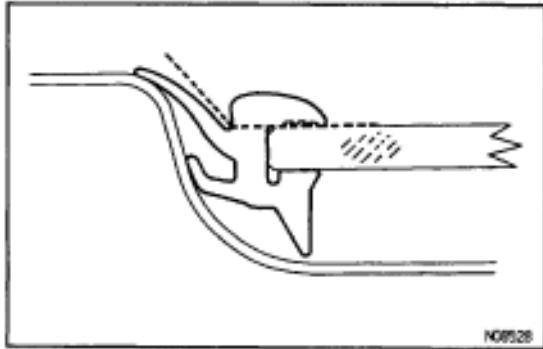


BACK DOOR MOULDING AND GLASS REMOVAL

1. DISCONNECT DEFOGGER CONNECTOR

2. REMOVE THESE PARTS:

- Rear wiper arm and blade
- Back door trim board
- Back door opening trim



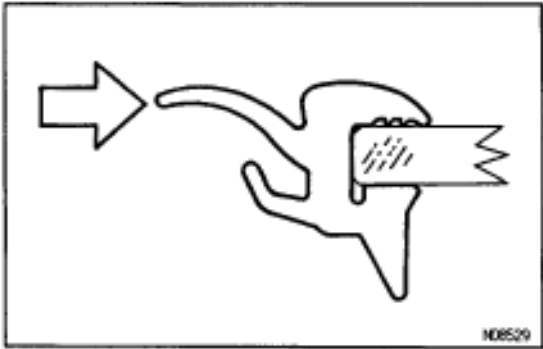
3. REMOVE BACK DOOR MOULDING

Using a knife, cut off the moulding as shown.

NOTICE: Do not damage the body with the knife.

4. REMOVE BACK DOOR GLASS AND MOULDING

HINT: Remove the glass and moulding in the same manner as the windshield. (See pages [BO-31](#) and 32)

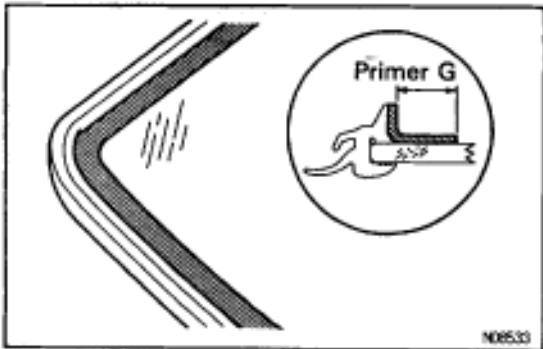


BACK DOOR MOULDING AND GLASS INSTALLATION

1. INSTALL BACK DOOR MOULDING

Place the moulding around the glass and install it by hand.

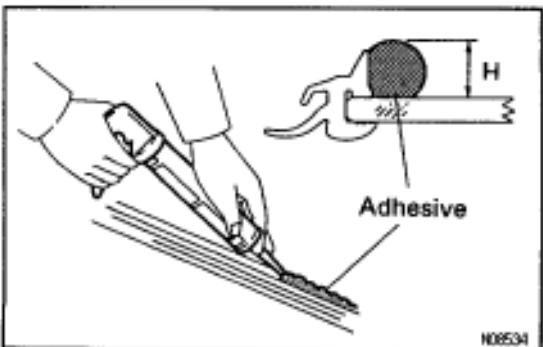
HINT: Always remove the back door glass to install the moulding.



2. INSTALL BACK DOOR GLASS

HINT: Install the glass in the same manner as the windshield. (See pages [BO-32](#) to 35)

- Coat contact surface of the glass with primer "G".



- Apply adhesive.

H: 12 mm (0.47 in.)

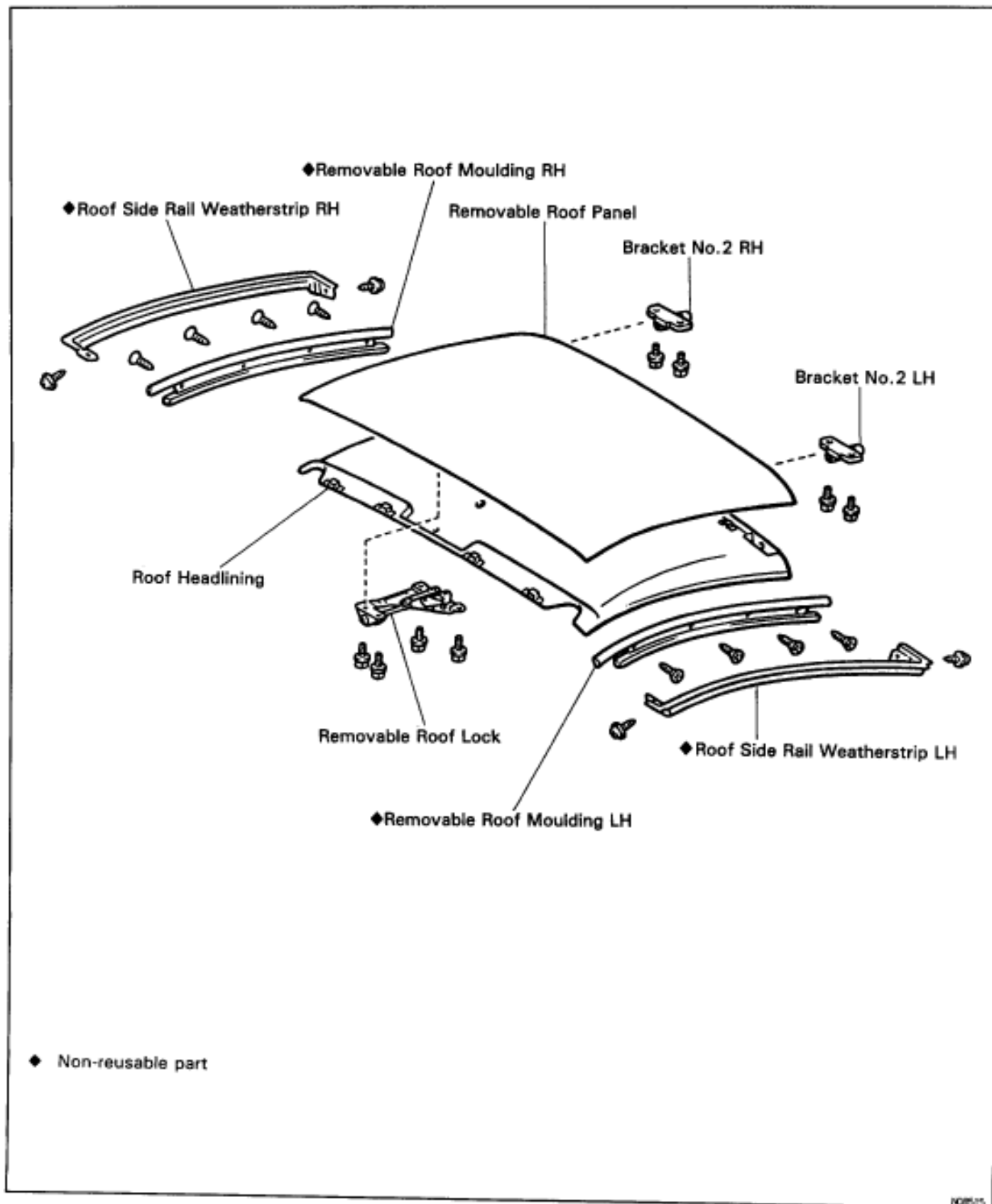
3. INSTALL THESE PARTS:

- Back door opening trim
- Back door trim board
- Rear wiper arm and blade

Torque: 11 N·m (110 kgf·cm, 8.0 ft·lbf)

4. CONNECT DEFOGGER CONNECTOR

SPORT ROOF COMPONENTS



ON-VEHICLE INSPECTION

INSPECT REMOVABLE ROOF PANEL ALIGNMENT

- (a) With the removable roof installed, check for water leakage.
- (b) Check for a difference in clearance and level between the removable roof panel and roof panel.

Clearance:

Front side: 6.0 ± 1.5 mm (0.236 \pm 0.06 in.)

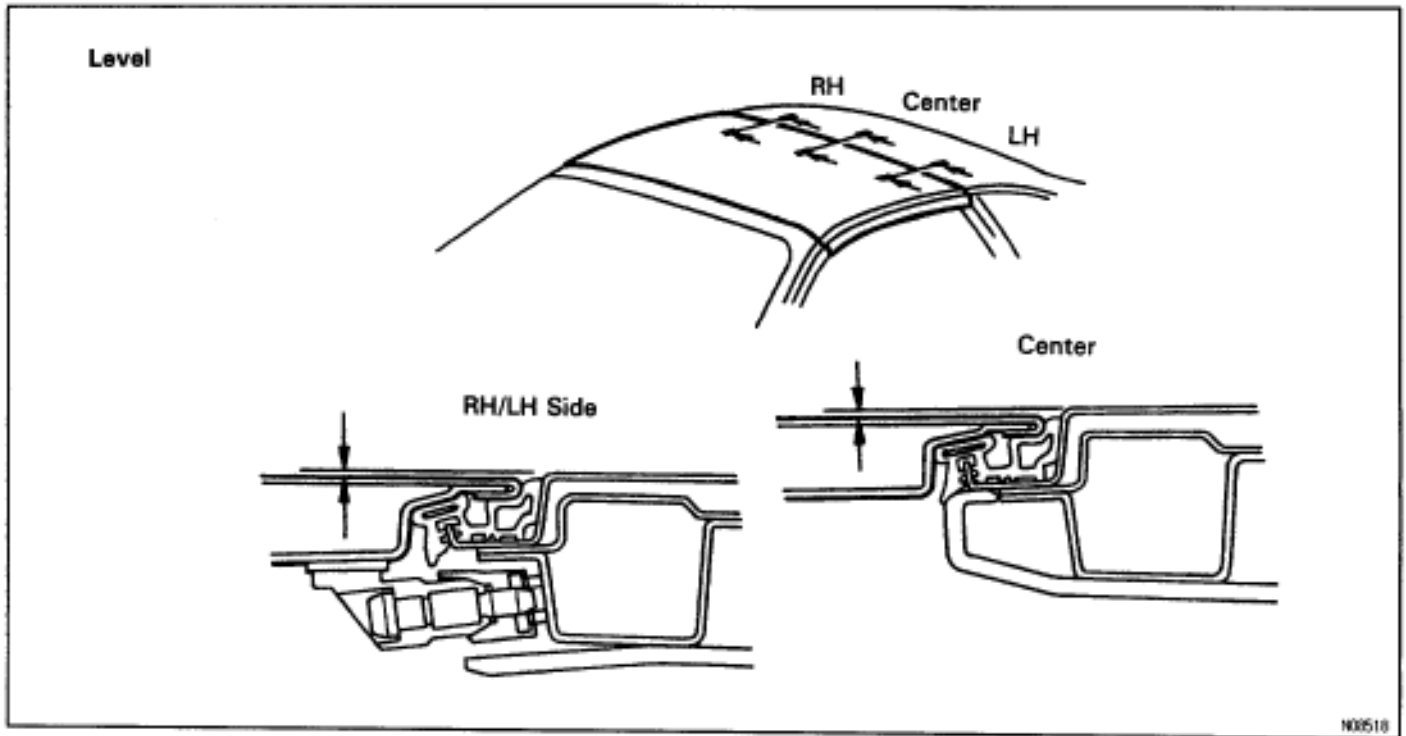
Rear side: 6.0 ± 1.5 mm (0.236 \pm 0.06 in.)

Level: (Rear side)

RH/LH side: +1.5 --2.0 mm (+0.06 --0.08 in.)

Center: +1.0 --2.0 mm (+0.04 --0.08 in.)

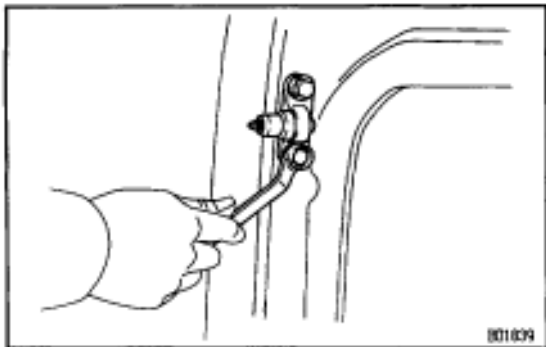
Zero level: upper surface of roof panel



REMOVABLE ROOF ADJUSTMENT

1. REMOVE ROOF HEADLINING

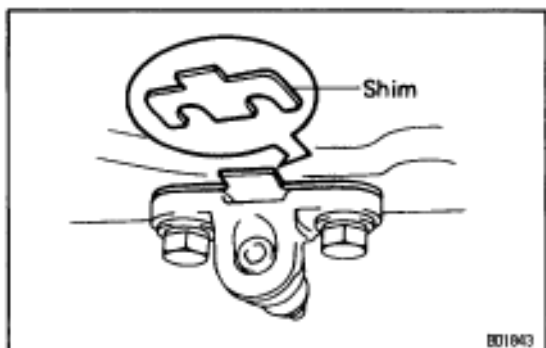
- (a) Removable roof headlining – for clearance adjustment (See pages [BO-41](#) and 61)
- (b) Rear roof headlining – for level adjustment (See pages [BO-58](#) to 61)



2. ADJUST CLEARANCE

Adjust the removable roof bracket by loosening the removable roof bracket bolts.

If the clearance is not within specification, repair the body panel.



3. ADJUST LEVEL

Select the shim that makes the difference between the rear side of removable roof panel and rear roof panel a minimum.

Shim thickness:

1.0 mm (0.039 in.)

2.0 mm (0.079 in.)

4. INSTALL ROOF HEADLINING

Installation is in the reverse order to removal.

REMOVABLE ROOF DISASSEMBLY AND ASSEMBLY

1. DISASSEMBLE THESE PARTS:

- (a) Roof side rail weatherstrip
- (b) Removable roof moulding
- (c) Roof headlining
- (d) Removable roof lock
- (e) Bracket No.2

2. ASSEMBLE THESE PARTS:

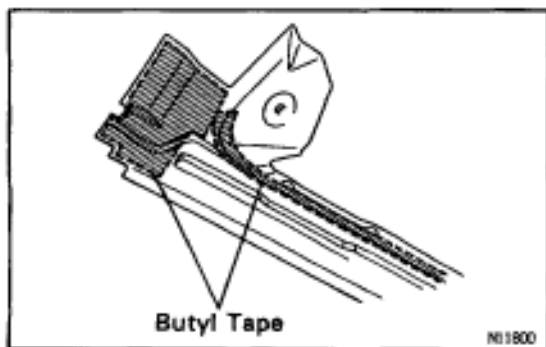
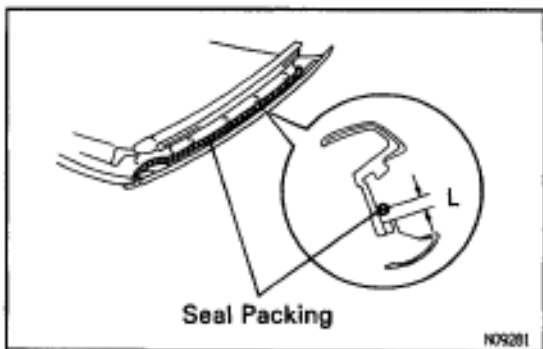
- (a) Bracket No.2
- (b) Removable roof lock
- (c) Roof headlining
- (d) Removable roof moulding

3. APPLY SEAL PACKING

Apply seal packing on the removable roof moulding as shown in the illustration.

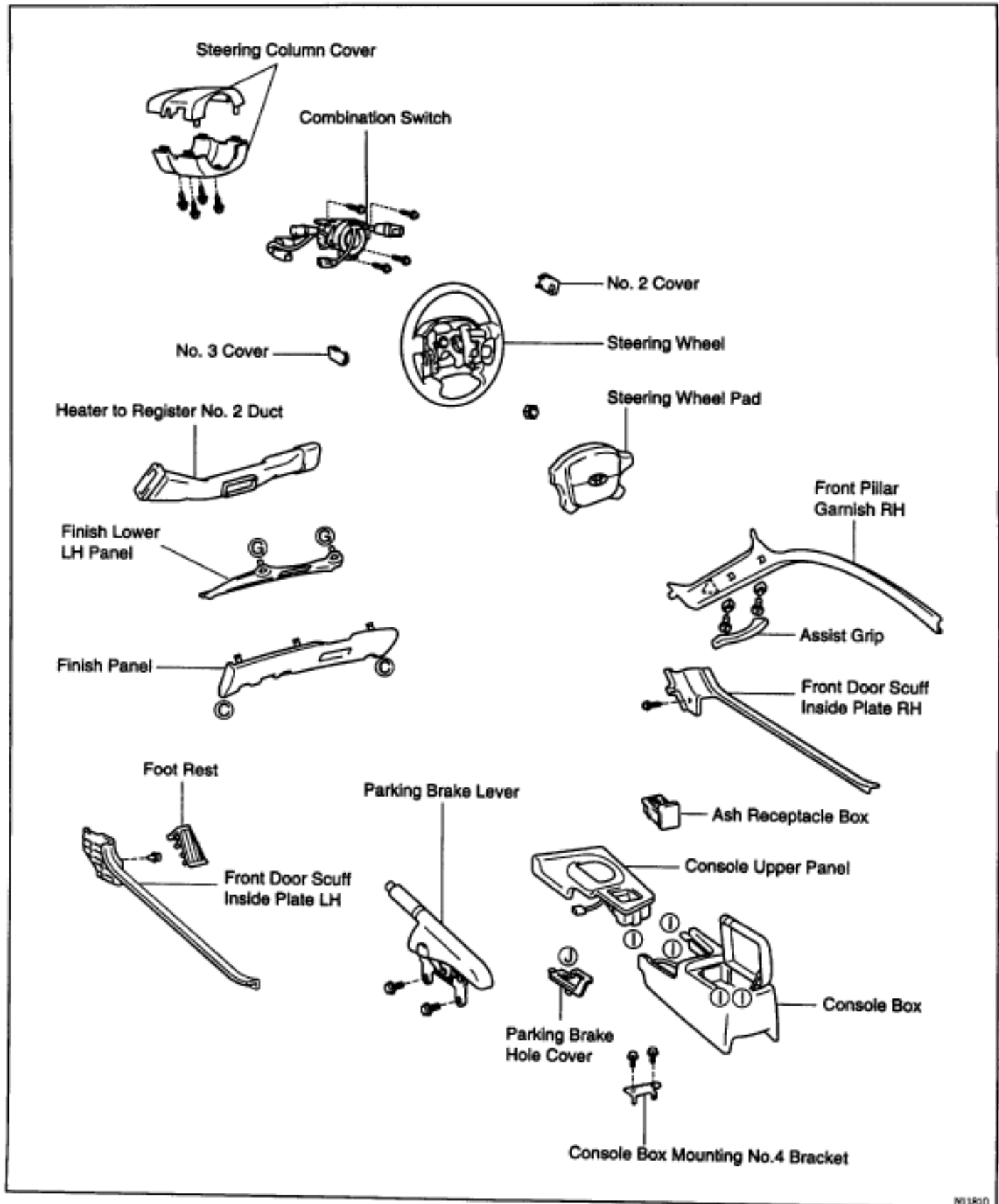
L: 4 mm (0.16 in.)

Part No. 08826-00080

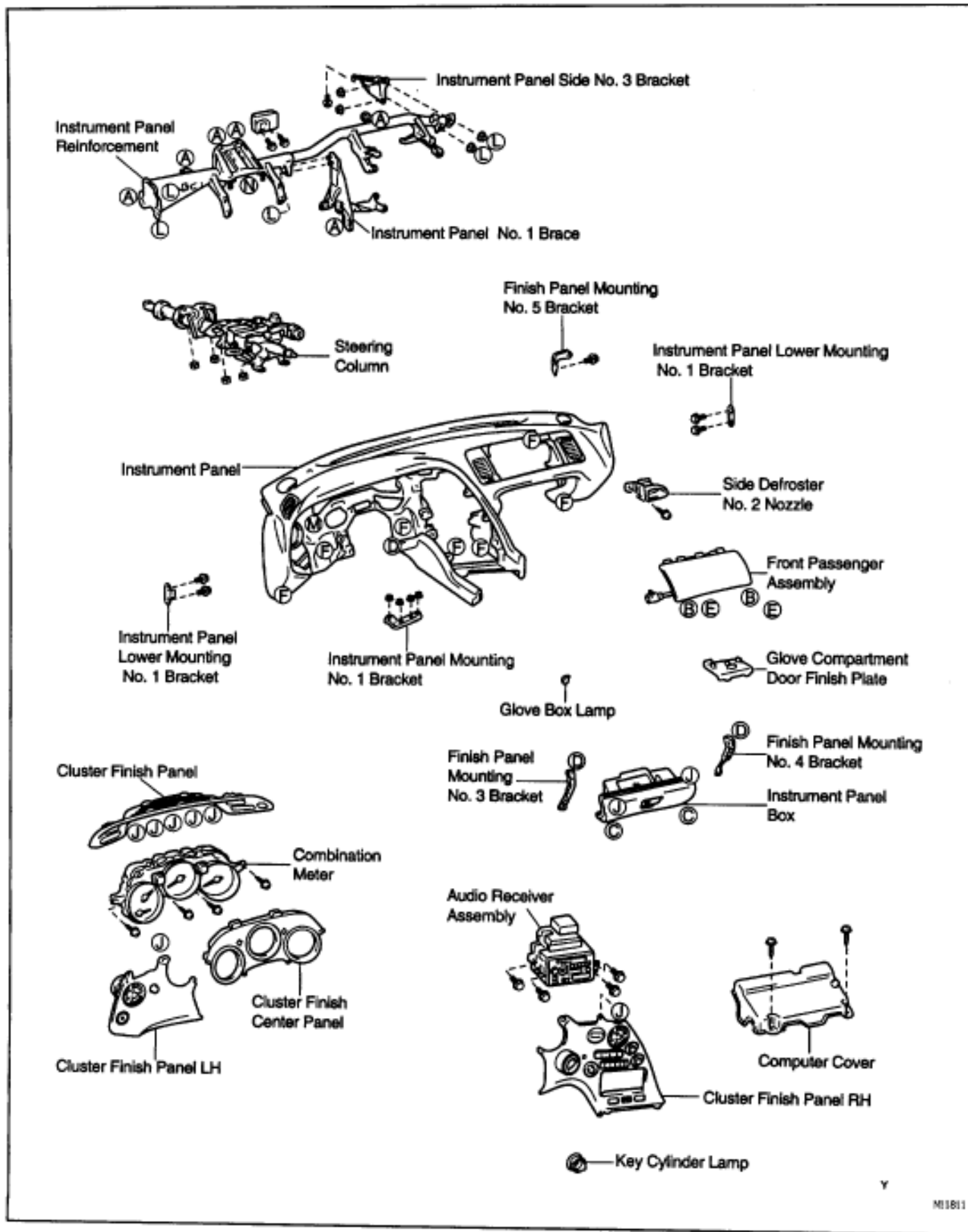


4. INSTALL ROOF SIDE RAIL WEATHERSTRIP

INSTRUMENT PANEL COMPONENTS

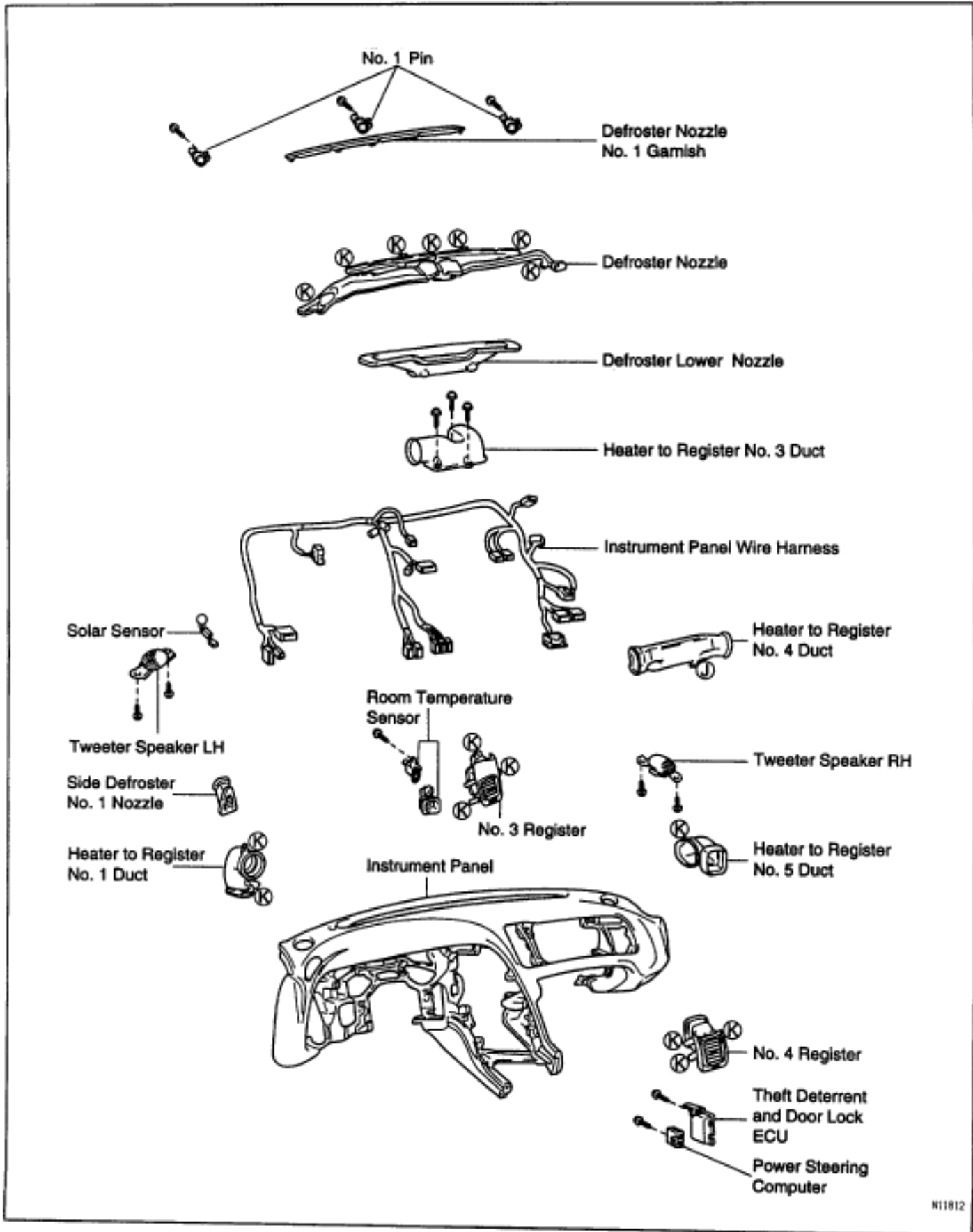


COMPONENTS (Cont'd)



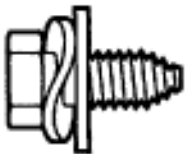

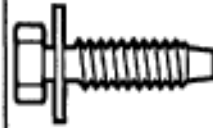


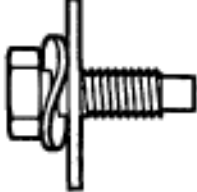
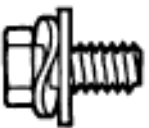







Y

COMPONENTS (Cont'd)



HINT: Screws in the illustration on the previous pages are indicated using the code below for removal and installation of instrument panel.

mm(in.)

	Shape	Size		Shape	Size		Shape	Size
(A)		$\varnothing = 8$ (0.31) L = 20 (0.79)	(B)		$\varnothing = 8$ (0.31) L = 18 (0.71)	(C)		$\varnothing = 6$ (0.24) L = 25 (0.98)
(D)		$\varnothing = 6$ (0.24) L = 23 (0.91)	(E)		$\varnothing = 6$ (0.24) L = 22 (0.87)	(F)		$\varnothing = 6$ (0.24) L = 20 (0.79)
(G)		$\varnothing = 6$ (0.24) L = 16 (0.63)	(H)		$\varnothing = 5$ (0.20) L = 12 (0.47)	(I)		$\varnothing = 5$ (0.20) L = 18 (0.71)
(J)		$\varnothing = 5.22$ (0.2055) L = 16 (0.63)	(K)		$\varnothing = 5$ (0.20) L = 14 (0.55)	(L)		$\varnothing = 8$ (0.31)
(M)		$\varnothing = 6$ (0.24)	(N)		$\varnothing = 8$ (0.31) L = 25 (0.98)			

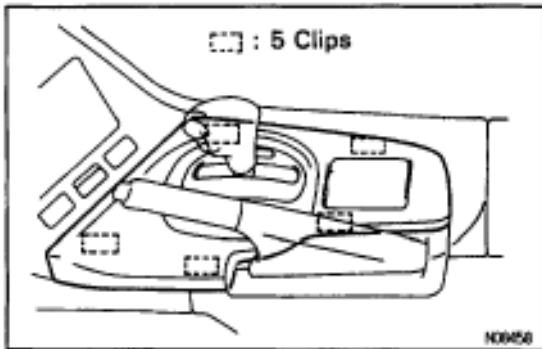
INSTRUMENT PANEL REMOVAL

1. REMOVE STEERING WHEEL

(See page [SR-14](#))

CAUTION:

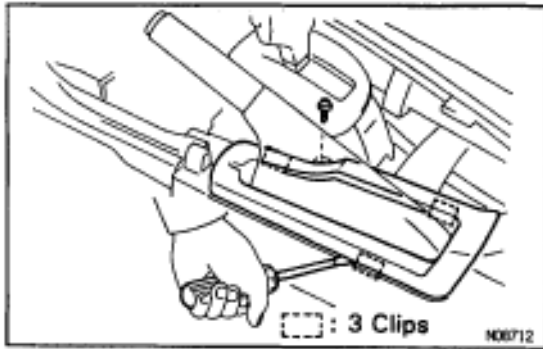
- When storing the wheel pad, keep the upper surface of the pad facing upward.
- Never disassemble the steering wheel pad.



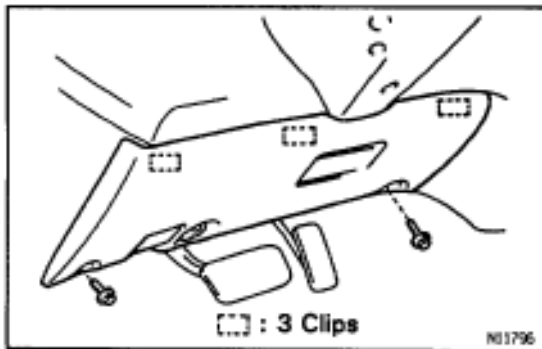
2. REMOVE THESE PARTS:

HINT: Tape a screwdriver tip before use.

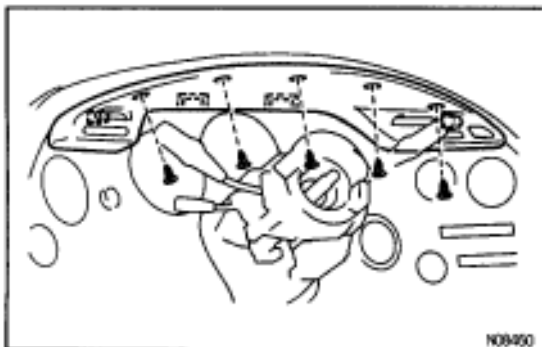
- Front pillar garnishes
- Assist grip
- Foot rest
- Front door scuff inside plates
- Steering column cover
- Console upper panel



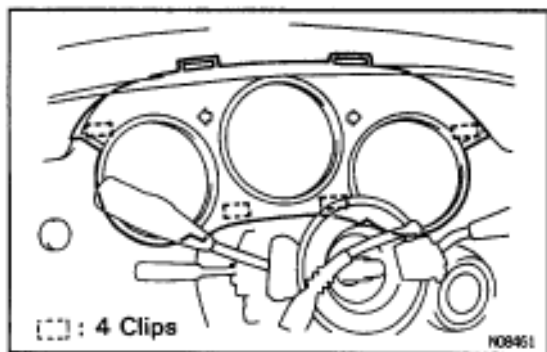
- Parking brake hole cover
- Console box



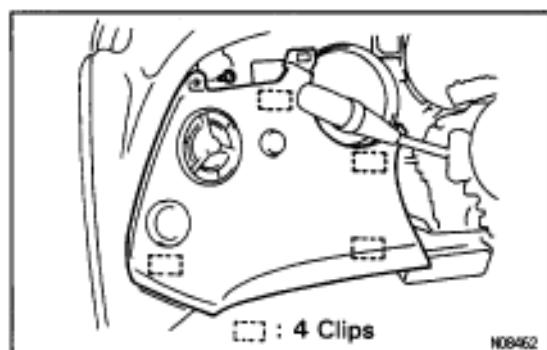
- Finish panel
- Finish lower LH panel



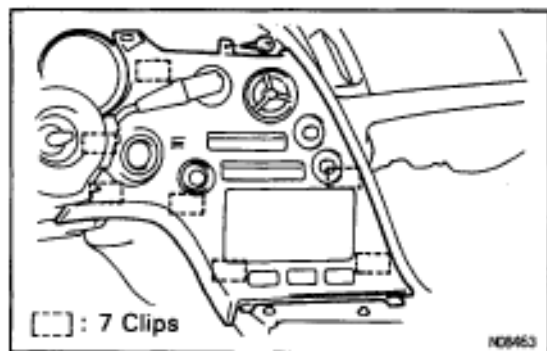
- Cluster finish panel



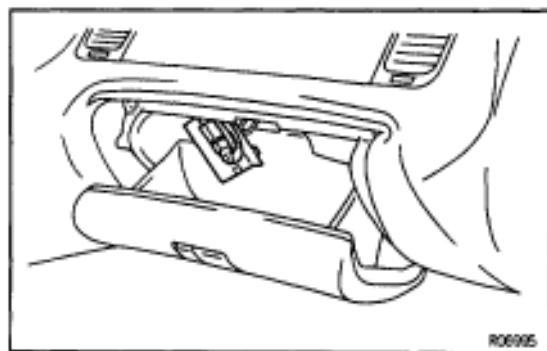
(l) Cluster finish panel center



(m) Cluster finish panel LH



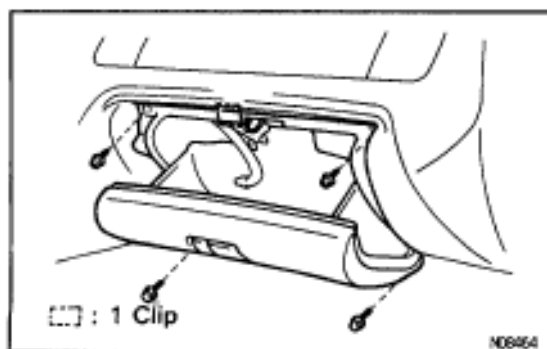
- (n) Cluster finish panel RH
- (o) Combination meter
- (p) Heater to register No.2 duct
- (q) Combination switch
- (r) Audio receiver assembly
- (s) Computer cover



3. REMOVE INSTRUMENT PANEL BOX

HINT: Tape a screwdriver tip before use.

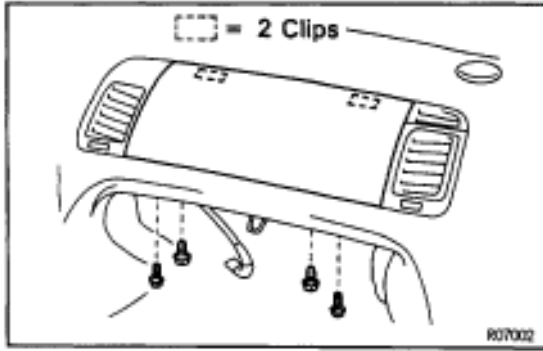
- (a) Remove the glove compartment door finish plate inside the instrument panel box.
NOTICE: When handling the airbag connector, take care not to damage the airbag wire harness.
- (b) Pull up and disconnect the airbag connector.



(c) Remove the instrument panel box.

4. REMOVE THESE PARTS

- (a) Finish panel mounting No.3 and 4 bracket
- (b) Heater to register No.4 duct
- (c) Finish panel mounting No.2 bracket

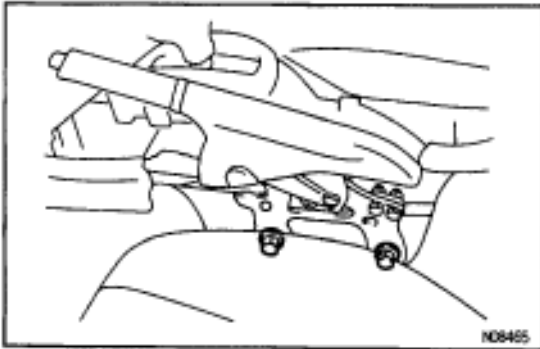


5. REMOVE FRONT PASSENGER AIRBAG ASSEMBLY

- (a) Remove the 4 bolts and 2 clips.
- (b) Remove the front passenger airbag assembly.

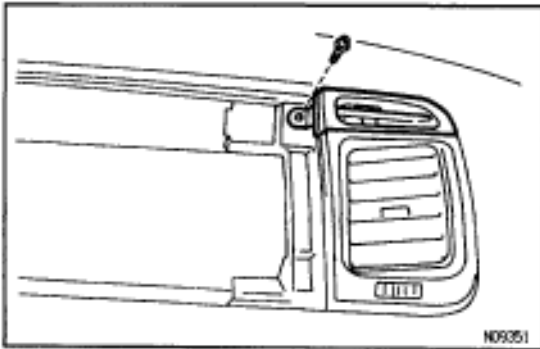
CAUTION:

- Do not store the front passenger airbag assembly with the airbag door facing down.
- Never disassemble the front passenger airbag assembly.

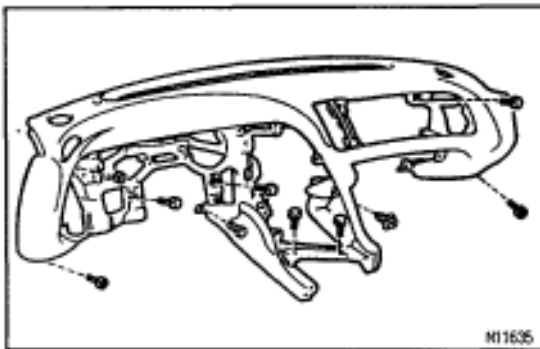


6. REMOVE THESE PARTS

- (a) Parking brake lever (2 bolts)



- (b) Side defroster No.2 nozzle
 - (c) Steering column (4 nuts)
- Torque: 25 N·m (260 kgf·cm, 19 ft·lbf)**



6. REMOVE INSTRUMENT PANEL

- (a) Disconnect the connectors.
 - (b) Remove the nut, screw, 8 bolts and the instrument panel.
- Torque: 8.8 N·m (90 kgf·cm, 78 ft·lbf)**

7. REMOVE INSTRUMENT PANEL REINFORCEMENT

- (a) Remove 6 bolts, 6 nuts and the instrument panel reinforcement.
- Torque: 21 N·m (210 kgf·cm, 15 ft·lbf)**
- (b) Remove the bolt and the instrument panel No.1 brace.
 - (c) Remove the bolt, 2 nuts and the instrument panel side No.3 bracket.

INSTRUMENT PANEL DISASSEMBLY

1. REMOVE THESE PARTS FROM INSTRUMENT PANEL

- (a) Defroster nozzle garnish
- (b) Defroster nozzle
- (c) Solar sensor
- (d) Speakers
- (e) Side defroster No.1 nozzle
- (f) No.1 bracket
- (g) Heater to register No.5 duct
- (h) No.4 register
- (i) Heater to register No.1 duct
- (j) No.3 register
- (k) Striker plate
- (l) Instrument panel box light switch
- (m) Room temperature sensor
- (n) Theft deterrent and door lock ECU
- (o) Power steering computer
- (p) Audio mounting No.1 and No.2 bracket
- (q) No.2 and No.3 bracket
- (r) No.1 pins

2. REMOVE INSTRUMENT PANEL WIRE HARNESS

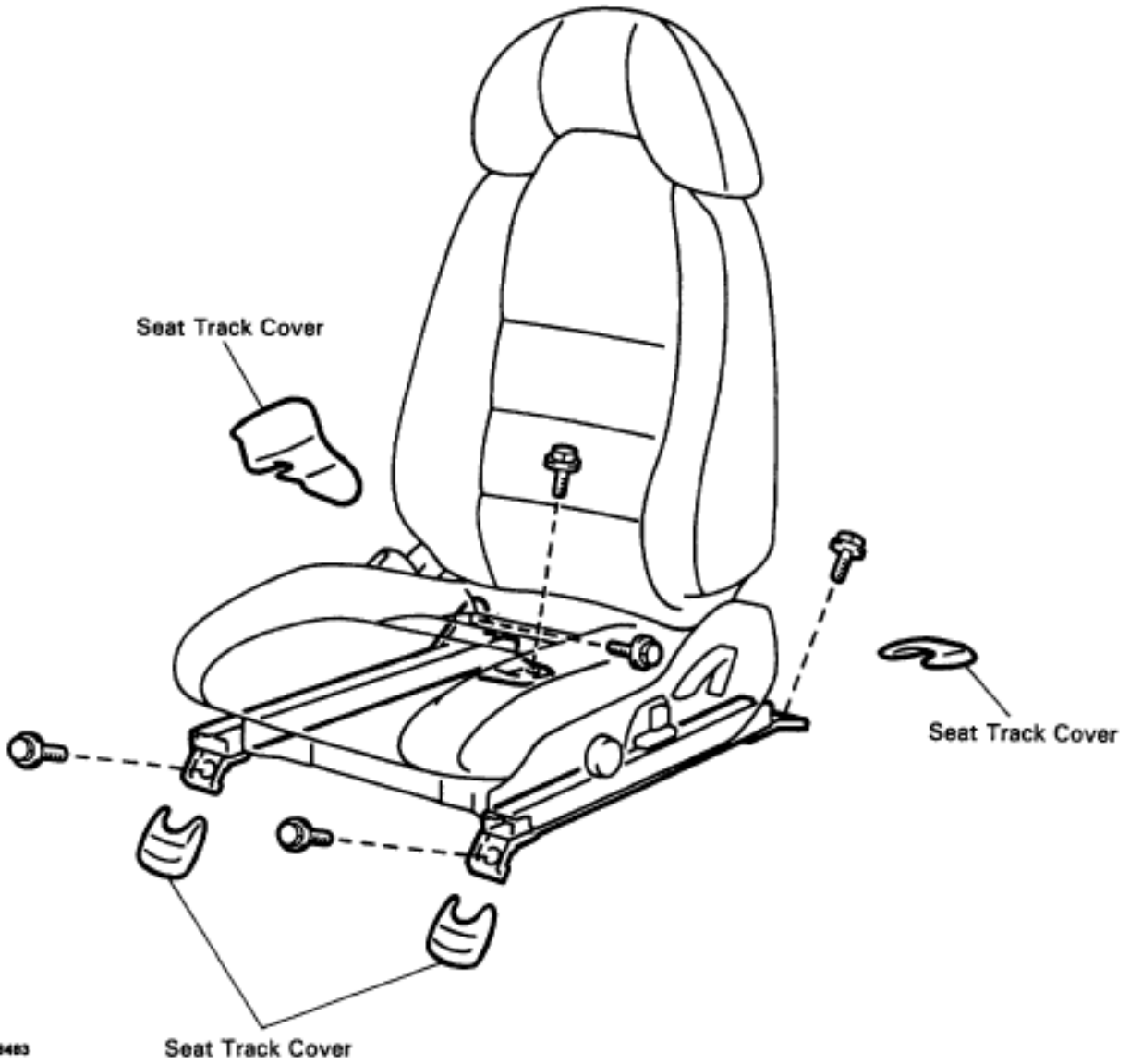
INSTRUMENT PANEL ASSEMBLY

Assembly is in the reverse order of disassembly.

INSTRUMENT PANEL INSTALLATION

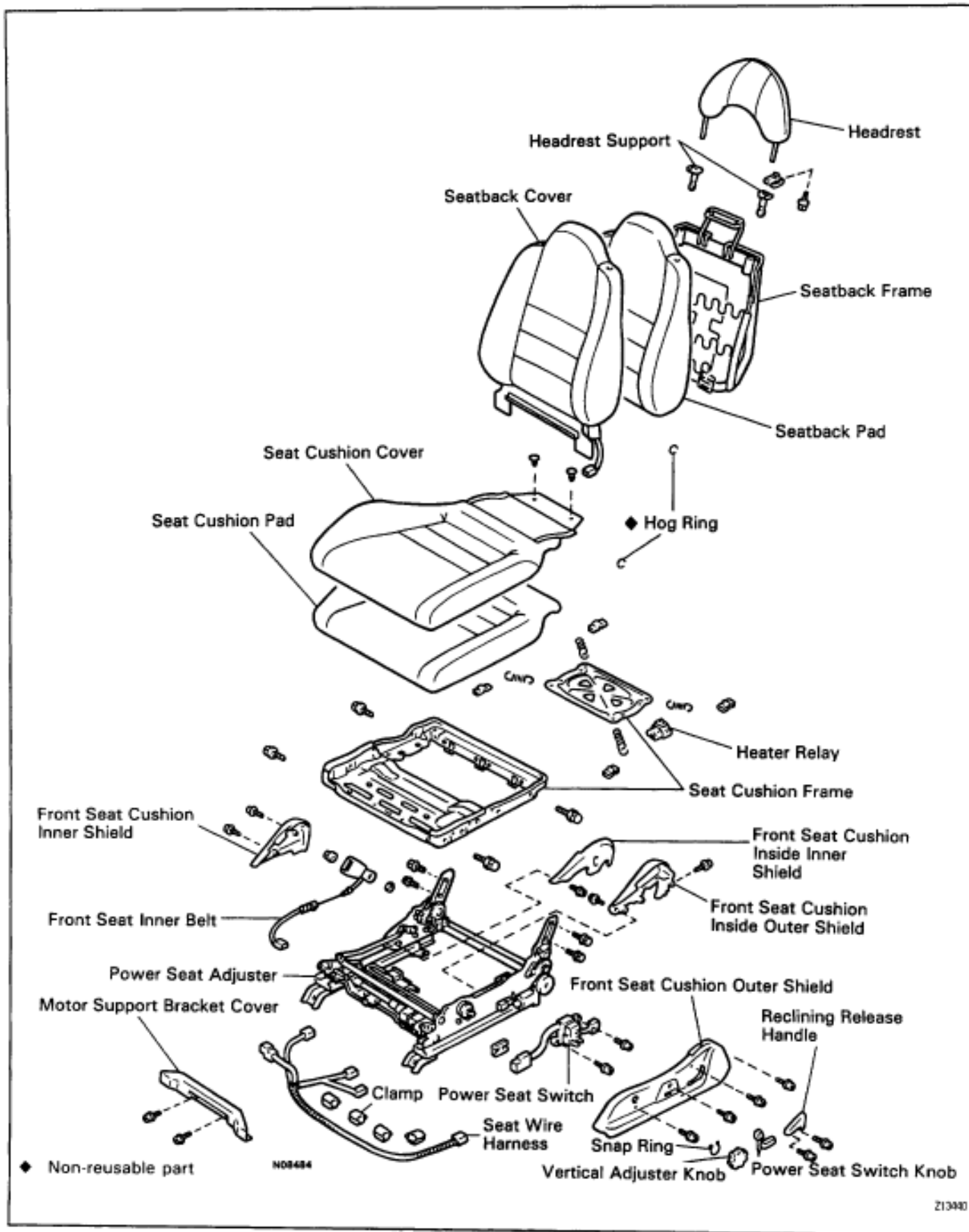
Installation is in the reverse order of removal.

FRONT SEAT COMPONENTS

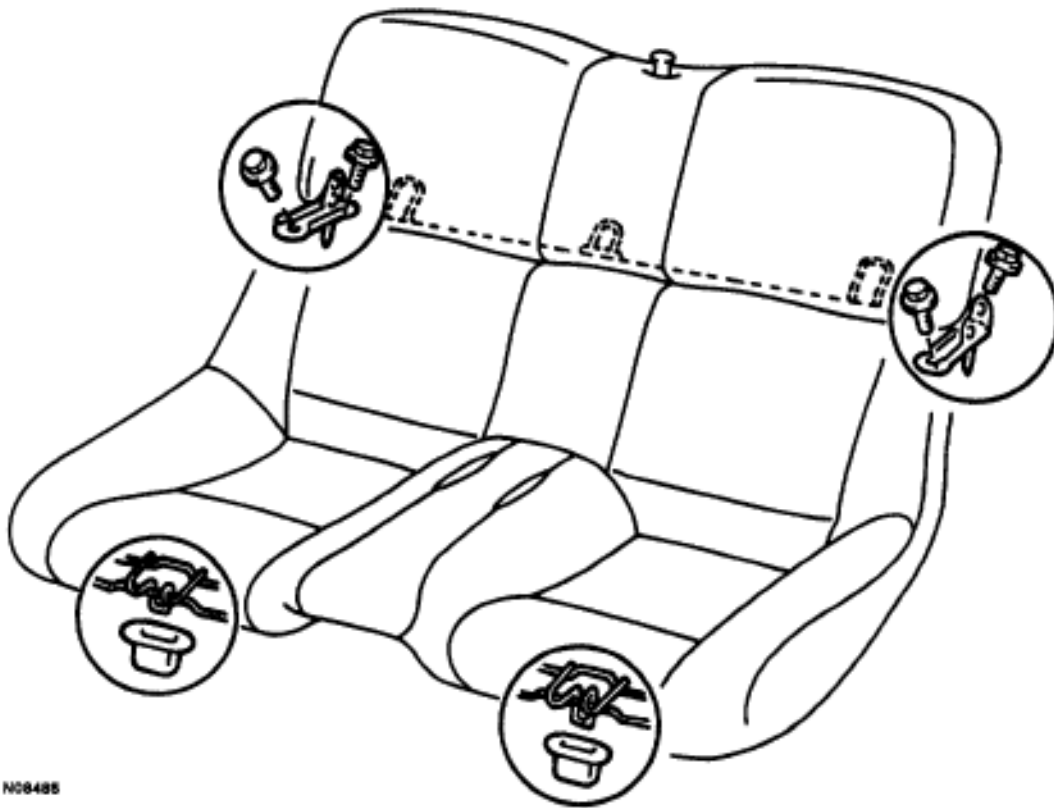


N08483

COMPONENTS (Cont'd)

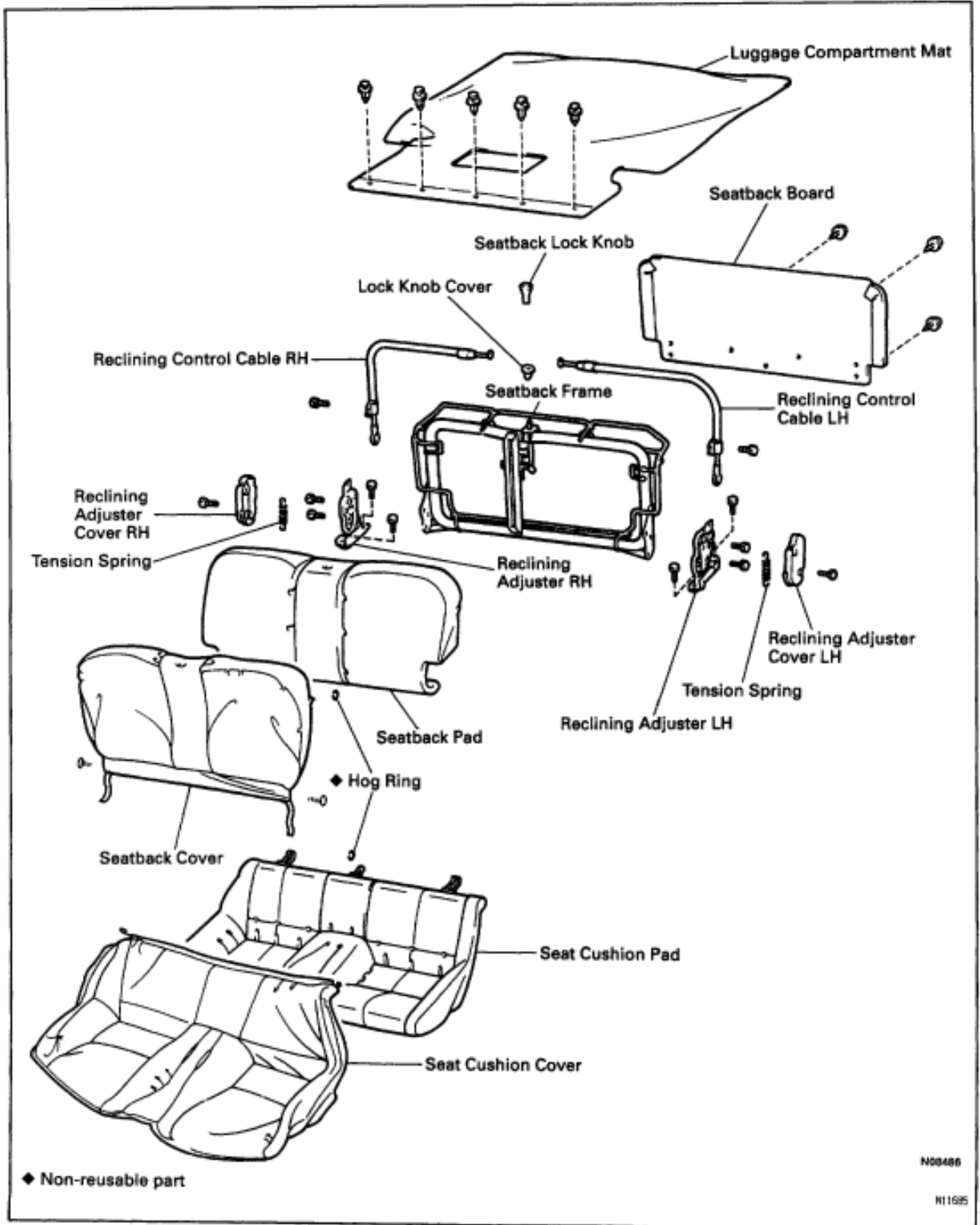


REAR SEAT COMPONENTS

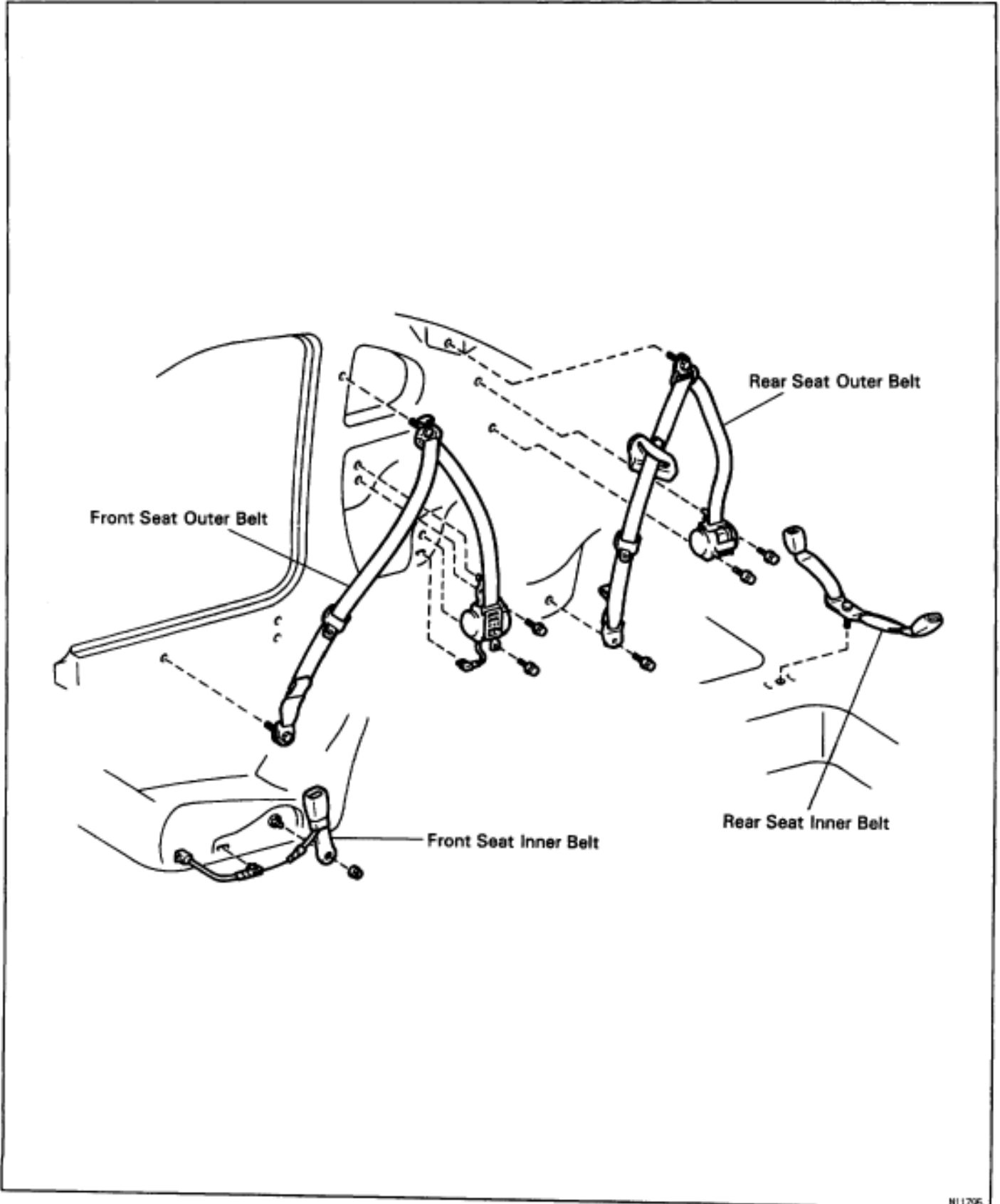


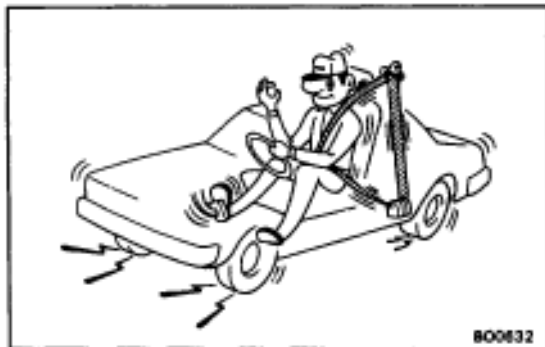
N08485

COMPONENTS (Cont'd)



SEAT BELT COMPONENTS





SEAT BELT INSPECTION

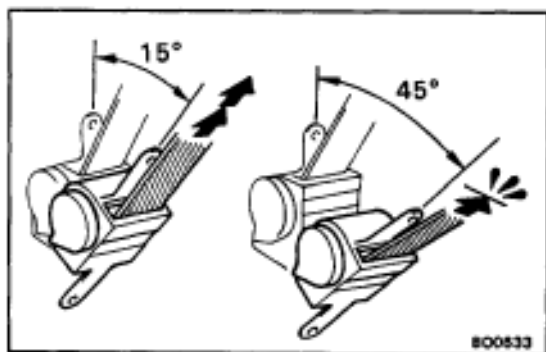
Emergency Locking Retractor (ELR) and Automatic Locking Retractor (ALR) type

1. RUNNING TEST (IN SAFE AREA)

for all seats:

- (a) Fasten the front seat belts.
- (b) Drive the car at 10 mph (16 km/h) and make a very hard stop.
- (c) Check that the belt is locked and cannot be extended at this time.

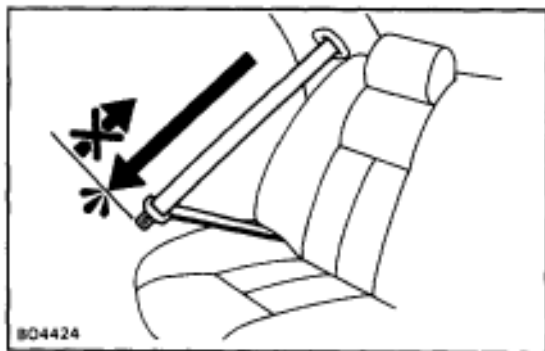
HINT: Conduct this test in a safe area. If the belt does not lock, remove the belt mechanism assembly and conduct the following static check. Also, whenever installing a new belt assembly, verify the proper operation before installation.



2. STATIC TEST

for all seats:

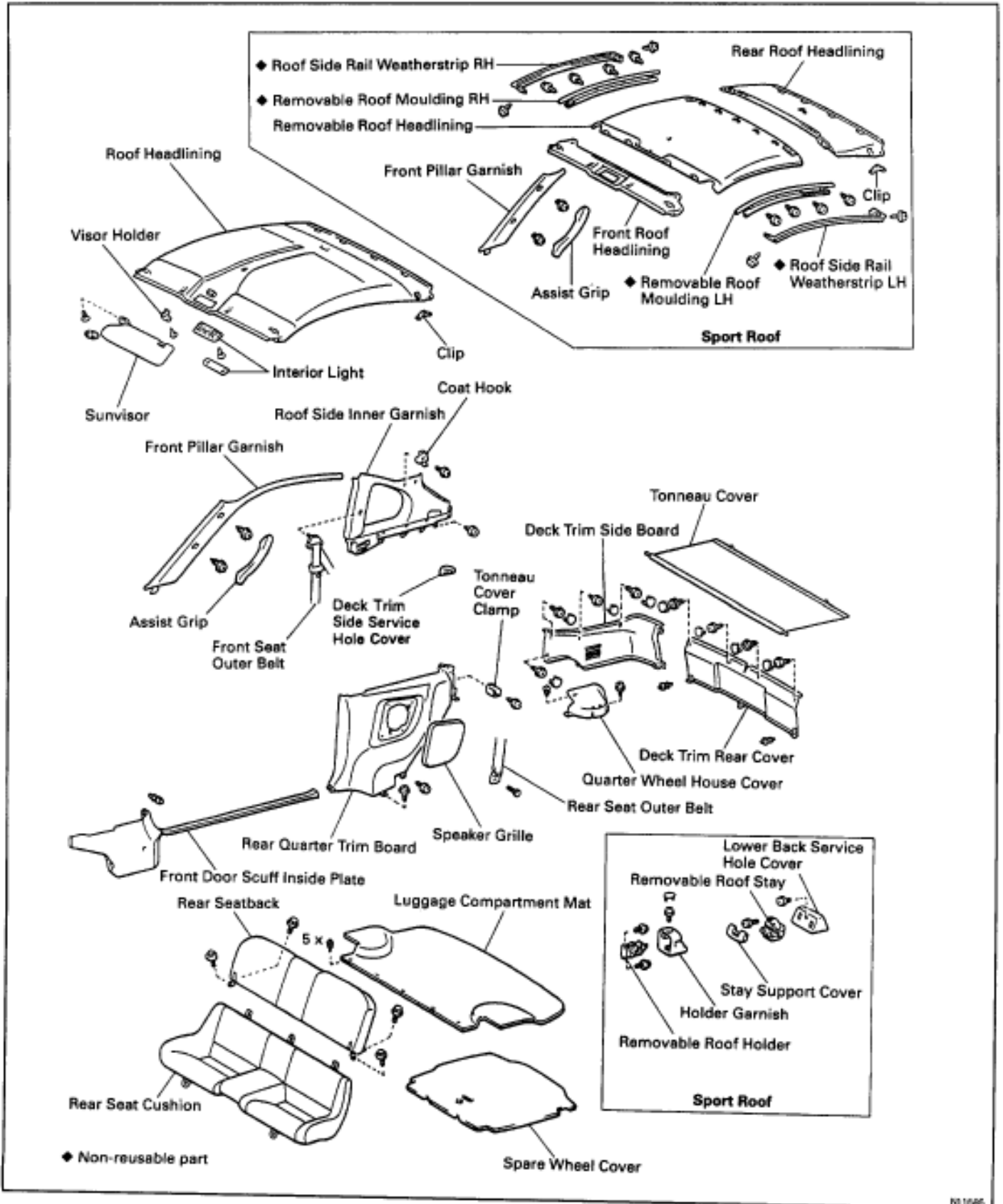
- (a) Verify that the belt locks when pulled out quickly.
- (b) Remove the locking retractor assembly.
- (c) Tilt the retractor slowly.
- (d) Verify that the belt can be pulled out at a tilt of 15 degrees or less, and cannot be pulled out at over 45 degrees of tilt. If a problem is found, replace the assembly.



except for driver's seat:

- (e) Pull out the whole belt, release it slightly and then pull it out again.
- (f) Verify that the belt cannot be extended further. If a problem is found, replace the assembly.

ROOF HEADLINING COMPONENTS

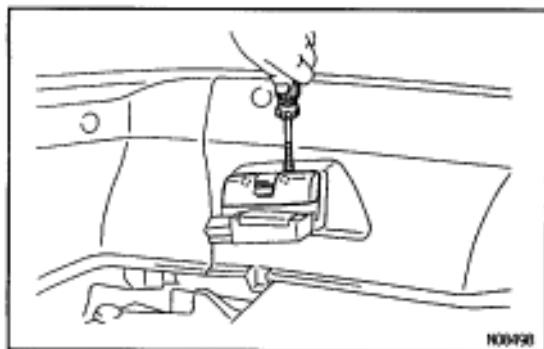


ROOF HEADLINING REMOVAL

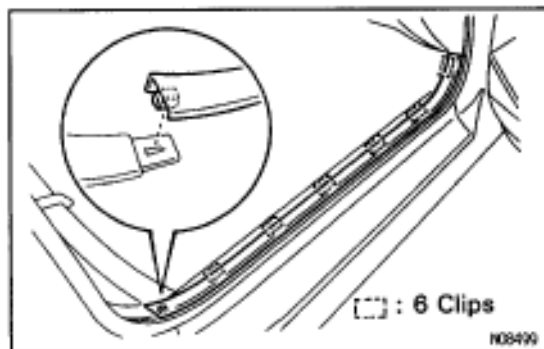
1. REMOVE THESE PARTS:

- (a) Tonneau cover
- (b) Luggage compartment mat
- (c) Spare wheel cover
- (d) Rear seat cushion
- (e) Rear seatback

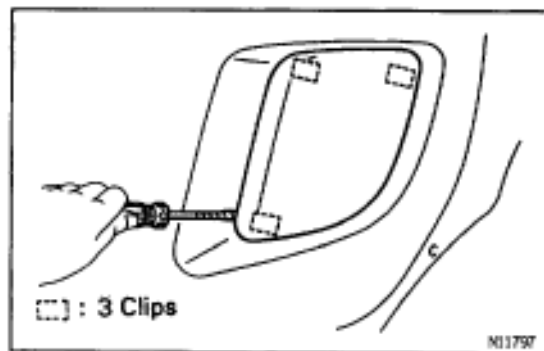
Torque: 25 N·m (260 kgf·cm, 19 ft·lbf)



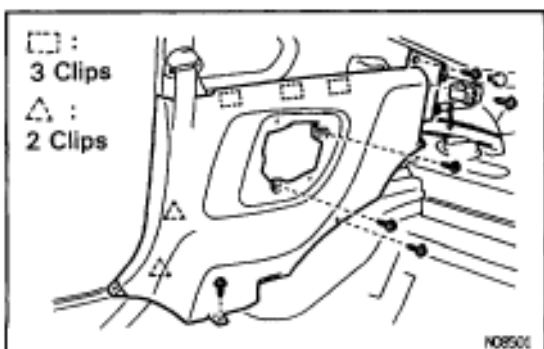
- (f) Removable roof stay RH and LH (Sport roof)
- (g) Deck trim rear cover
- (h) Removable roof holder RH and LH (Sport roof)
- (i) Quarter wheel house cover
- (j) Deck trim side board



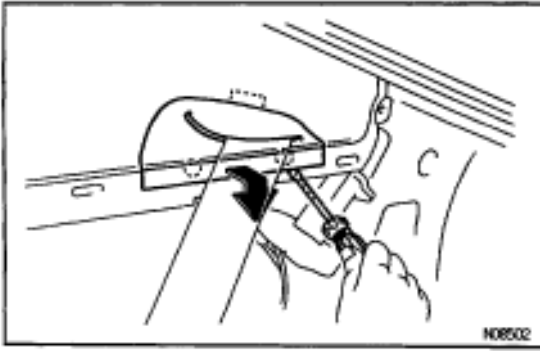
- (k) Front door scuff inside plate



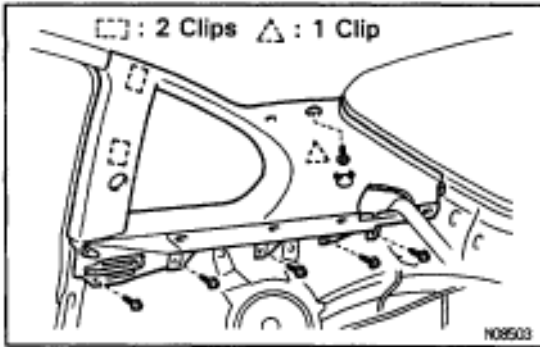
- (l) Speaker grille



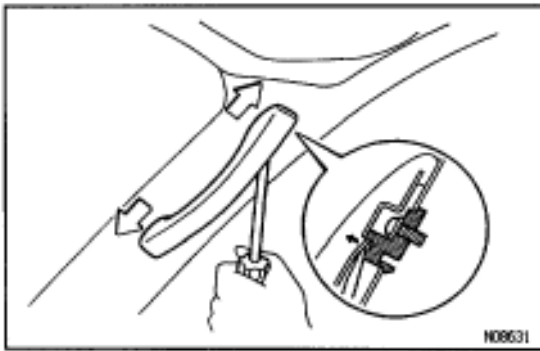
- (m) Rear quarter trim board
- (n) Front seat outer belt
- (o) Rear seat outer belt



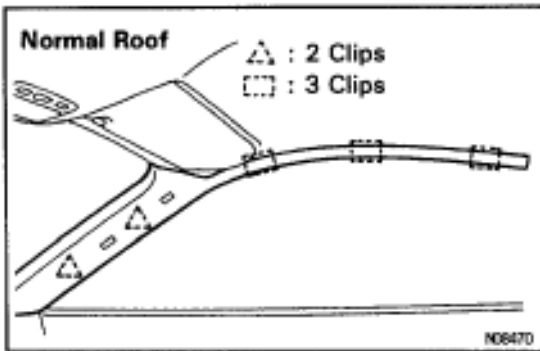
(p) Deck trim side service hole cover



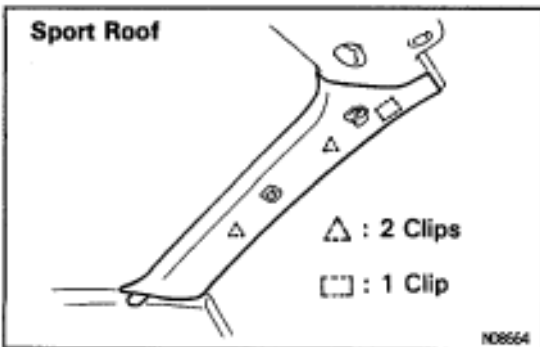
(q) Roof side inner garnish
(r) Removable roof (Sport roof)

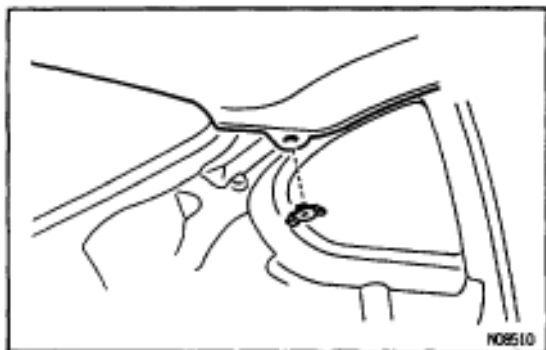


(s) Assist grip



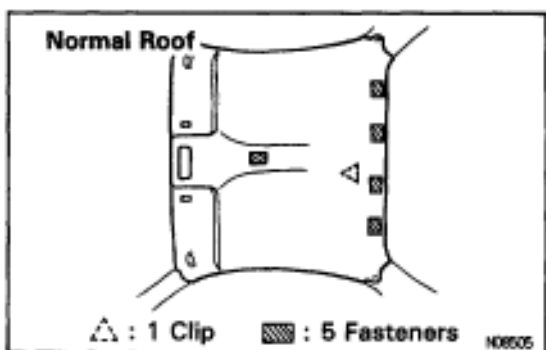
(t) Front pillar garnish
(u) Interior light
(v) Sunvisor and holder



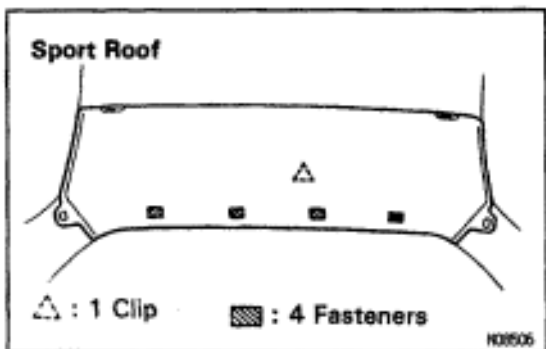


2. REMOVE ROOF HEADLINING

(a) Using a clip remover, remove the 2 clips.

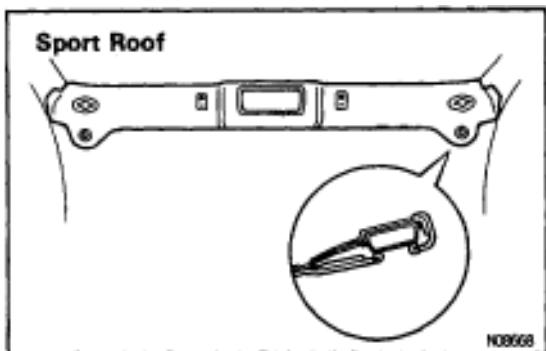


(b) Normal roof—Remove the roof headlining.

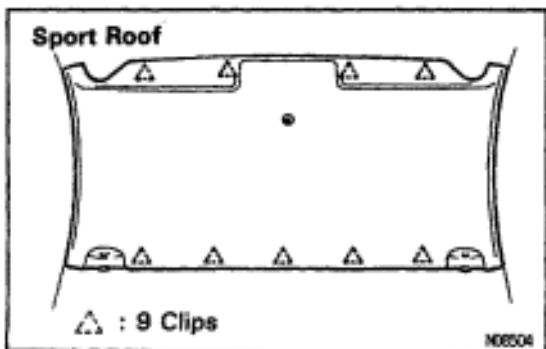


**3. SPORT ROOF:
REMOVE ROOF HEADLINING**

(a) Remove the rear roof headlining.



(b) Remove the front roof headlining.



(c) Remove removable roof headlining
(See page [BO-41](#))

ROOF HEADLINING INSTALLATION

Installation is in the reverse order of removal.

HINT: Torque these parts:

- (a) Front seat belt shoulder anchor bolt
Torque: 43 N·m (440 kgf·cm, 32 ft·lbf)
- (b) Front seat belt floor anchor bolt
Torque: 43 N·m (440 kgf·cm, 32 ft·lbf)
- (c) Rear seat outer belt floor anchor bolt
Torque: 43 N·m (440 kgf·cm, 32 ft·lbf)

SERVICE SPECIFICATIONS TORQUE SPECIFICATIONS

Part tightened	N·m	kgf·cm	ft·lbf
FRONT BUMPER	—	—	—
Reinforcement x Body	5.9	60	52 in·lbf
Front bumper cover x Body	5.9	60	52 in·lbf
REAR BUMPER	—	—	—
Reinforcement x Body	42	430	31
Rear bumper cover x Body	5.9	60	52 in·lbf
HOOD	—	—	—
Hood hinge x Hood	13	130	9.4
Hood lock x Body	8.8	90	78 in·lbf
FRONT DOOR	—	—	—
Door hinge x Body	52	530	38
Door hinge x Door panel	25	260	19
Door lock x Door panel	5.4	55	48 in·lbf
Window regulator x Door panel	7.8	80	69 in·lbf
Window guide lower plate x Door panel	5.9	60	52 in·lbf
Door window upper stop x Door panel	13	130	9.4
BACK DOOR	—	—	—
Back door hinge x Body	21	210	15
Back door hinge x Back door	13	130	9.4
Door lock x Body	19	195	14
Door lock striker x Body	13	130	9.4
Back door damper stay x Body	5.9	60	52 in·lbf
Back door damper stay x Back door	7.8	80	69 in·lbf
WIPER AND WASHER	—	—	—
Front Wiper	—	—	—
Wiper arm x Wiper link	22	225	16
Rear Wiper	—	—	—
Wiper arm x Wiper motor	11	110	8.0
INSTRUMENT PANEL	—	—	—
Steering column x Instrument panel reinforcement	25	260	19
Front passenger airbag assembly x Instrument panel reinforcement	21	210	15
Front passenger airbag assembly x Instrument panel	8.8	90	78 in·lbf
Steering wheel x Steering column	35	360	26
Steering wheel pad x Steering wheel	7.1	72	62 in·lbf

TORQUE SPECIFICATIONS (Cont'd)

Part tightened	N·m	kgf·cm	ft·lbf
FRONT SEAT	–	–	–
Seat adjuster x Body	37	375	27
Seat adjuster x Seatback	18	185	13
Seat adjuster x Seat cushion	18	185	13
REAR SEAT	–	–	–
Seatback x Body	25	260	19
Reclining adjuster x Seatback	18	185	13
SEAT BELT	–	–	–
Front Seat Belt	–	–	–
Shoulder anchor x Body	43	440	32
Outer belt anchor x Body	43	440	32
Retractor x Body (Upper Side)	7.8	80	69 in.·lbf
Retractor x Body (Lower Side)	43	440	32
Inner belt x Seat	43	440	32
Rear Seat Belt	–	–	–
Shoulder anchor x Body	43	440	32
Outer belt anchor x Body	43	440	32
Retractor x Body	43	440	32
Inner belt x Body	43	440	32